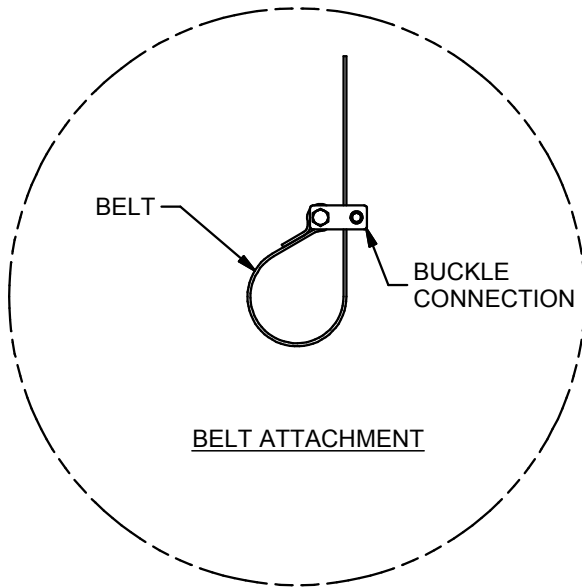
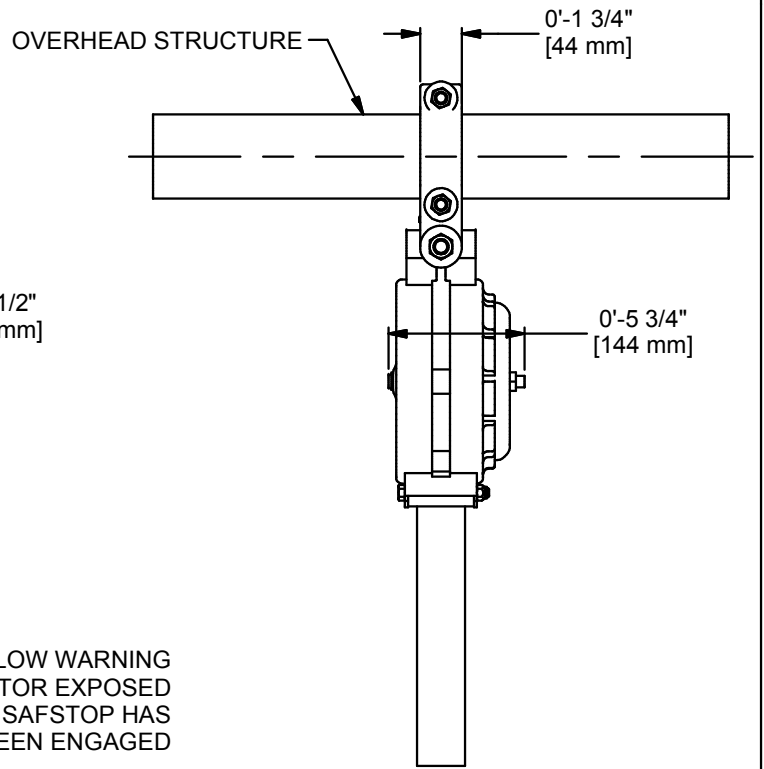
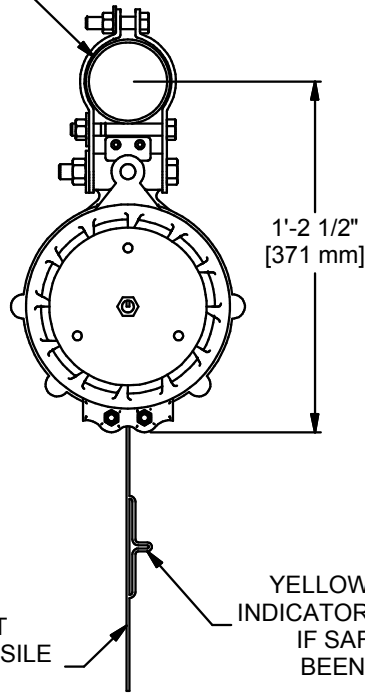


FITS 3.5" [90 mm] O.D. OR  
4" [102 mm] O.D. OVERHEAD  
TUBE STRUCTURE



**⚠ CAUTION**

LOCKING STRAP IS RATED TO CAPTURE A  
1000 LB [454 m], FREE FALLING LOAD. THIS  
DOES NOT INSURE THAT COMPONENTS, SUCH  
AS BUILDING STRUCTURE, WILL WITHSTAND  
THIS LOAD.



WWW.ADPLEMCO.COM  
SALES@ADPLEMCO.COM

13702 SOUTH 200 WEST B9  
DRAPER, UT 84020

PHONE (801) 280-4000  
FAX (801) 280-4040

SAFSTOP SAFETY LOCKING STRAP

DRAWN	DATE	REV
	2/8/2018	-
SHT. NO.	PART NO.	
1 OF 1	110	