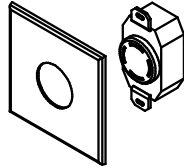
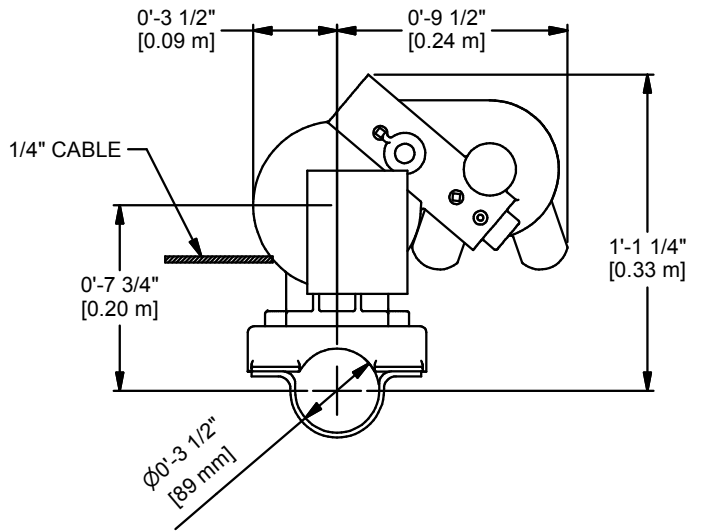
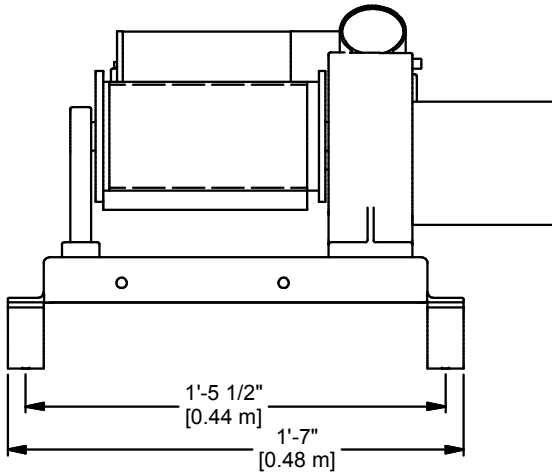
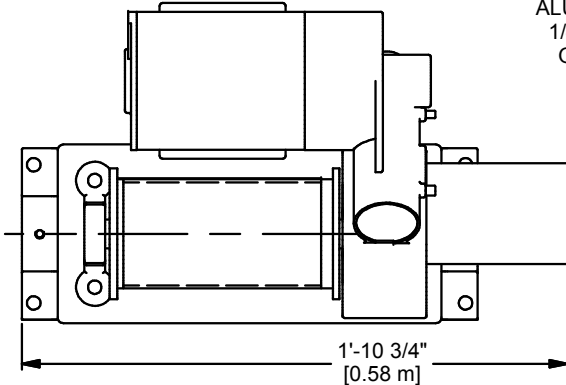
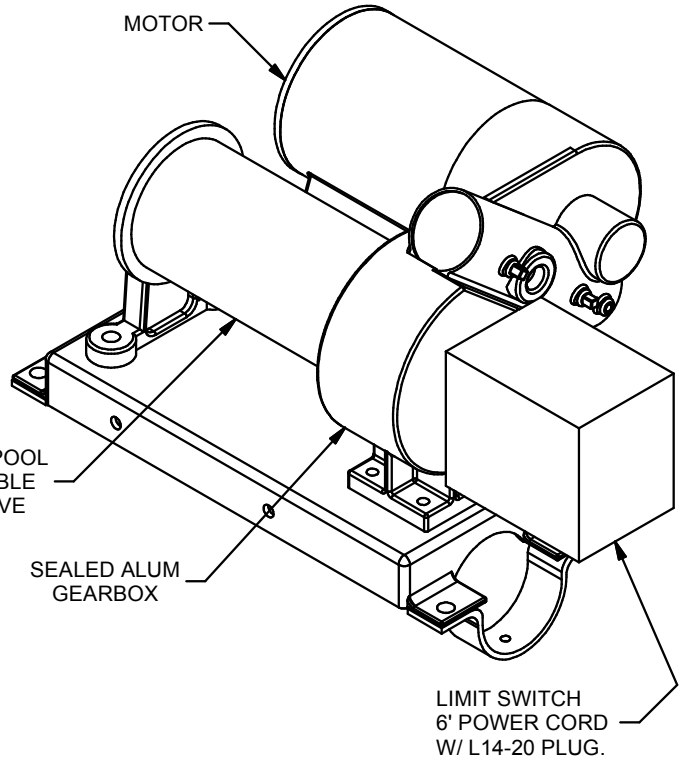


KEY SWITCH AND COVER INCLUDED  
2X4X 2 1/2 BOX NOT INCLUDED



L14-20 RECEPT. AND COVER INCLUDED  
4X4 BOX NOT INCLUDED



MOTOR DATA:  
3/4HP, 1PH, 110/115/120VAC 60HZ  
INSTANT REVERSING,  
THERMALLY PROTECTED

**CAUTION:**

KEY SWITCH MUST BE LOCATED IN AN AREA THAT ALLOWS THE BACKSTOP TO BE VISIBLE TO THE OPERATOR, BUT SHOULD NOT BE DIRECTLY UNDER THE BACKSTOP.



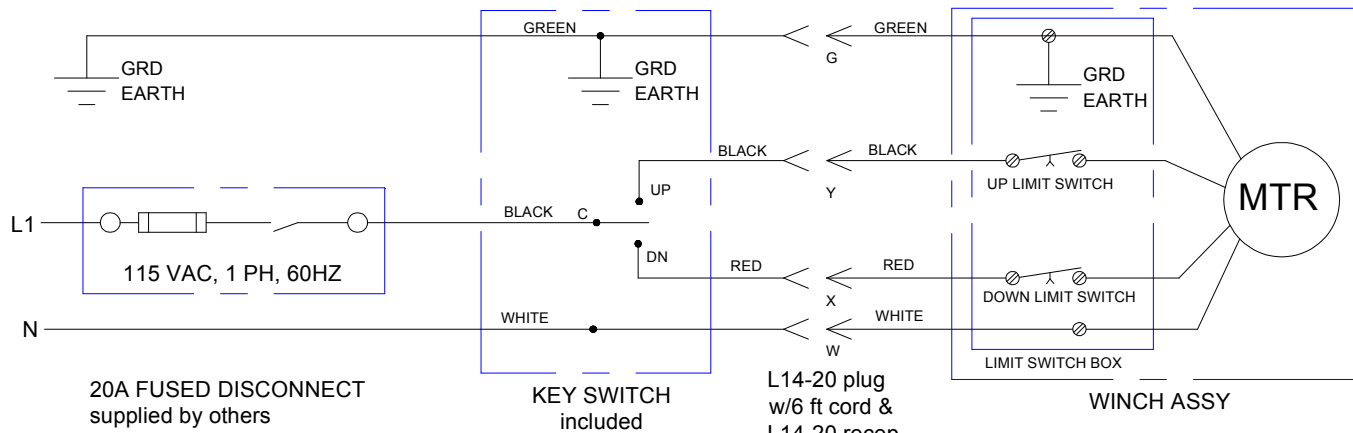
WWW.ADPLEMCO.COM  
SALES@ADPLEMCO.COM

13702 SOUTH 200 WEST B9  
DRAPER, UT 84020

PHONE (801) 280-4000  
FAX (801) 280-4040

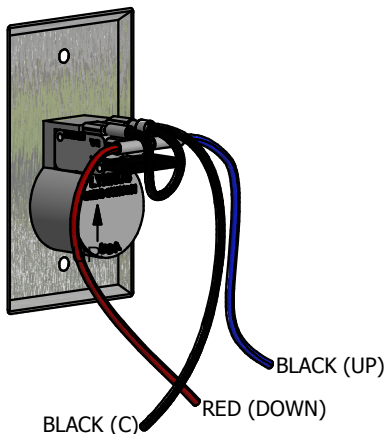
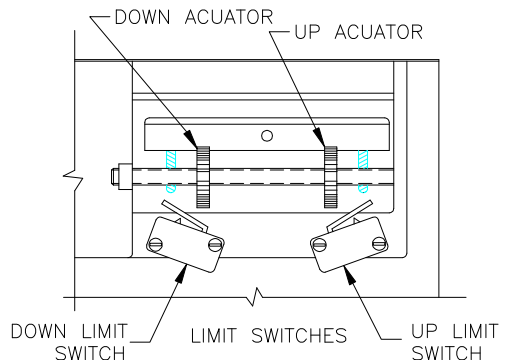
ELECTRIC HOIST-115V-1PH-60HZ

DRAWN	DATE	REV
	12/6/2017	-
SHT. NO.	PART NO.	
1 OF 2	150	

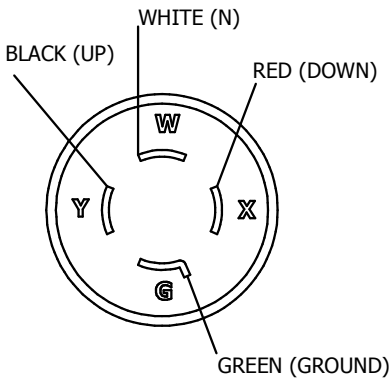


L14-20 plug w/6 ft cord & L14-20 recep included, 4" jct box not included

WIRING SUPPLIED BY OTHERS



KEY SWITCH



L14-20 RECEPTACLE

**ELECTRICAL REQUIREMENTS**

MINIMUM CIRCUIT REQUIREMENTS  
 -DEDICATED 115VAC, 1PH, 60HZ,  
 20 AMP SERVICE

MOTOR SPECIFICATION  
 -3/4HP 115V, 1PH, 60HZ, 9.5 FLA  
 INSTANT REVERSING, THERMAL O/L

MINIMUM WIRE SIZE  
 (copper wire, 3% max voltage drop)  
 0-90 ft.....12 ga.  
 90-140 ft.....10 ga.  
 140-240 ft.....8 ga.  
 240-380 ft.....6 ga.



WWW.ADPLEMCO.COM  
 SALES@ADPLEMCO.COM

13702 SOUTH 200 WEST B9  
 DRAPER, UT 84020

PHONE (801) 280-4000  
 FAX (801) 280-4040

WIRING SCHEMATICS, 115V, 1PH, 60HZ

DRAWN	DATE	REV
	12/6/2017	-
SHT. NO.	PART NO.	
2 OF 2	150	