

MOTOR DATA:

3/4 HP, 110/115/120 VAC, 60 Hz, SINGLE PHASE
INSTANT REVERSING W/ THERMAL OVERLOAD PROTECTION

GEAR BOX DATA:

200:1 RATIO DOUBLE WORM GEAR
MAX LOAD RATING UP TO 1000 LBS.

HOIST MAY BE MOUNTED RIGHT SIDE UP (AS SHOWN) OR UPSIDE DOWN

OPTIONAL TRANSMITTER, MODEL 1198, IS REQUIRED TO OPERATE THE RECIEVER WIRELESSLY.



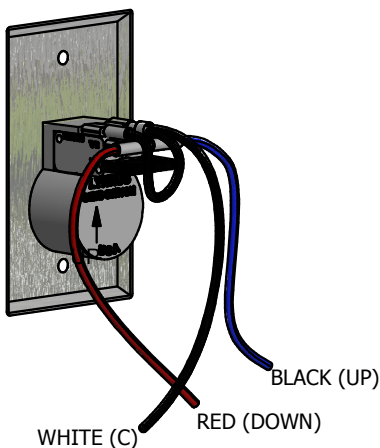
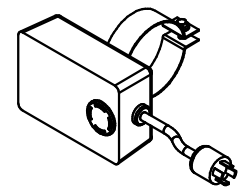
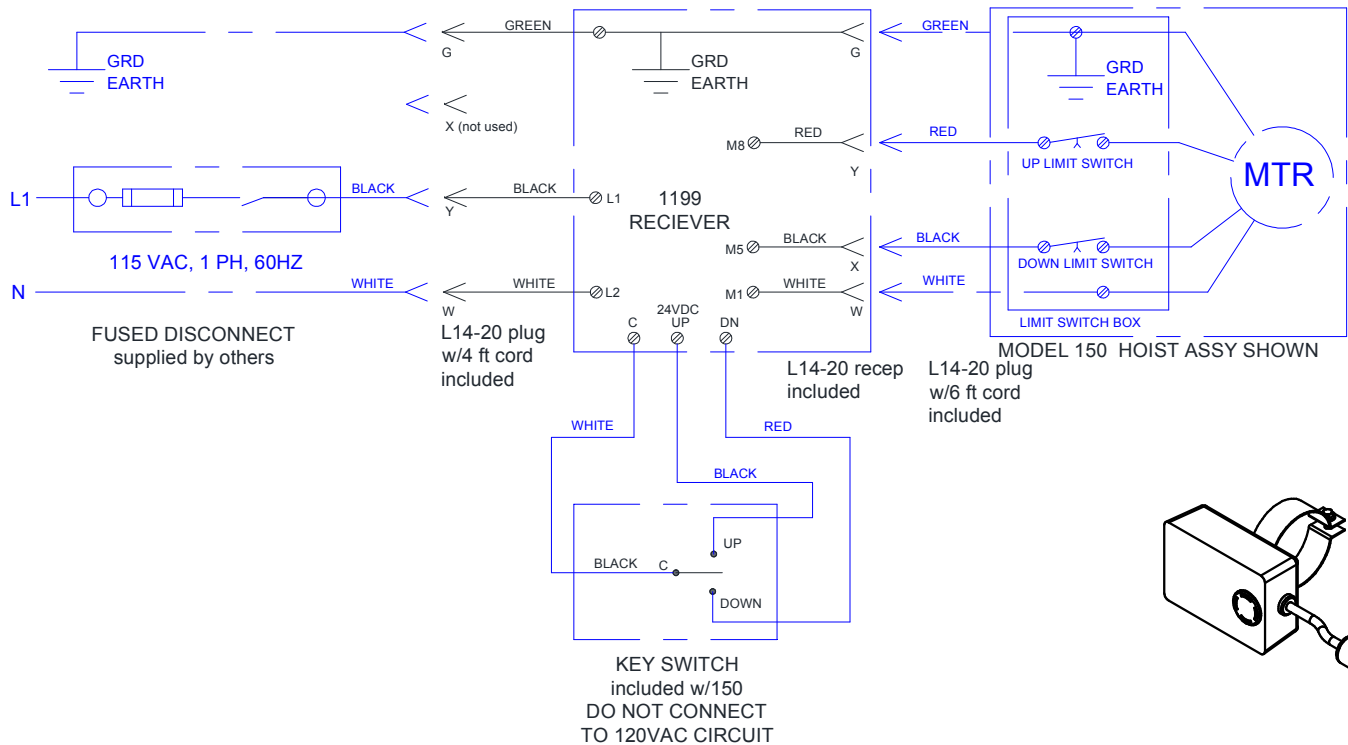
WWW.ADPLEMCO.COM
SALES@ADPLEMCO.COM

13702 SOUTH 200 WEST B9
DRAPER, UT 84020

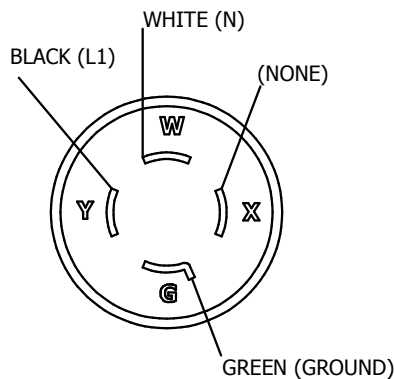
PHONE (801) 280-4000
FAX (801) 280-4040

WIRELESS REMOTE CONTROL ELEC. HOIST

DRAWN	DATE	REV
	12/6/2017	-
SHT. NO.	PART NO.	
1 OF 2	152R	



KEY SWITCH
24VDC CIRCUIT



L14-20 RECEPTACLE
RECIEVER POWER PLUG

ELECTRICAL REQUIREMENTS

MINIMUM CIRCUIT REQUIREMENTS
-DEDICATED 115VAC, 1PH, 60HZ,
20 AMP SERVICE

MOTOR SPECIFICATION
-3/4HP 115V, 1PH, 60HZ, 9.5 FLA
INSTANT REVERSING, THERMAL O/L

MINIMUM WIRE SIZE
(copper wire, 3% max voltage drop)

0-90 ft.....	12 ga.
90-140 ft.....	10 ga.
140-240 ft.....	8 ga.
240-380 ft.....	6 ga.



WWW.ADPLEMCO.COM
SALES@ADPLEMCO.COM

13702 SOUTH 200 WEST B9
DRAPER, UT 84020

PHONE (801) 280-4000
FAX (801) 280-4040

WIRE SCHEM, REMOTE CONTROL HOIST

DRAWN	DATE	REV
	12/6/2017	-
SHT. NO.	PART NO.	
2 OF 2	152R	