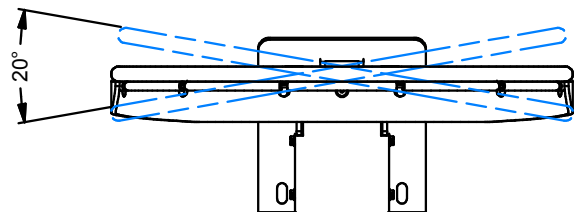
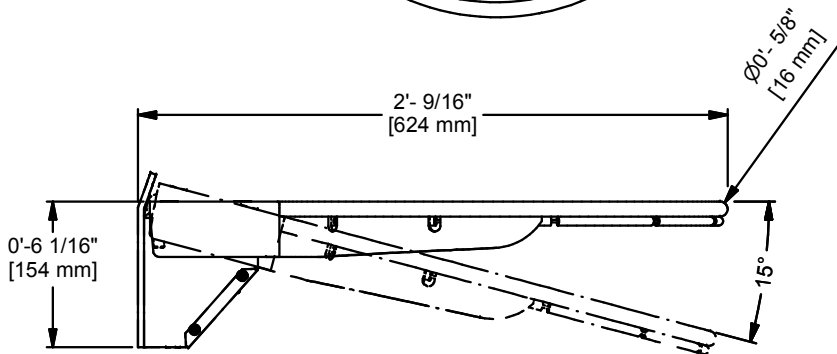
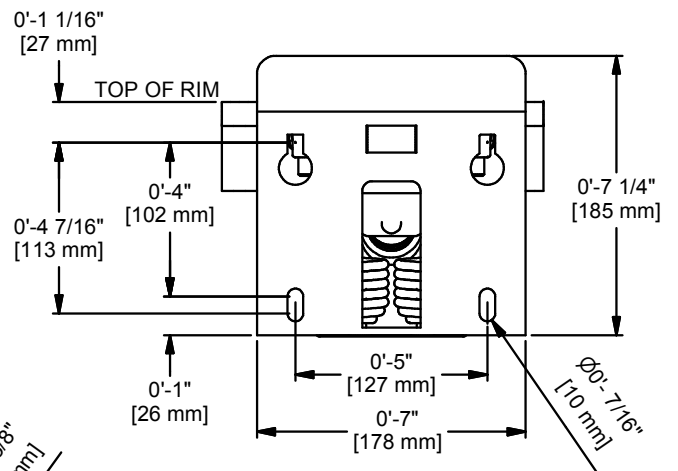
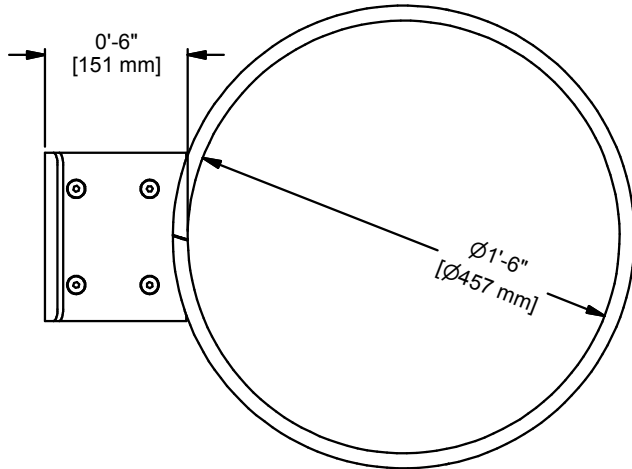
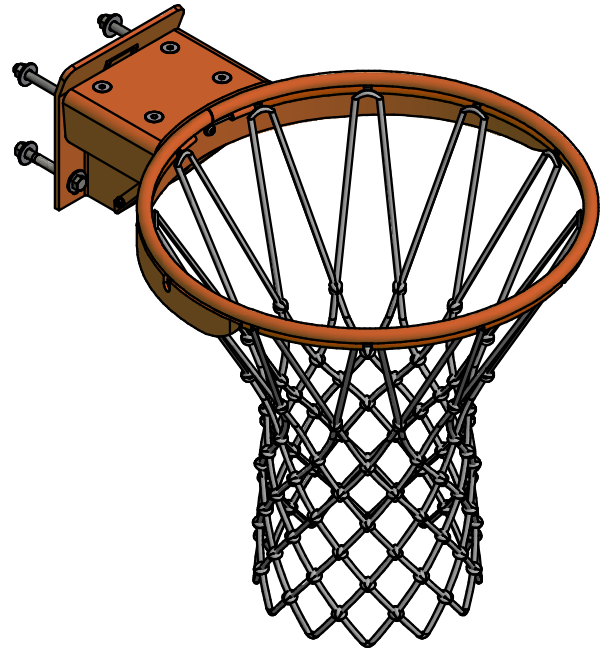


NOTE:

1. FINISH - OFFICIAL ORANGE POWDER COAT.
2. GOAL IS SUPPLIED WITH ANTI-WHIP NYLON NET AND 3/8" MOUNTING HARDWARE.
3. GOAL IS FACTORY SET TO BREAKAWAY AT A 180-200 lb [82-91 kg] FORCE AND AUTOMATICALLY RETURNS WHEN LOAD IS RELEASE.
4. 28 lbs [12.7 kg] SHIPPING WEIGHT.



WWW.ADPLEMCO.COM
SALES@ADPLEMCO.COM

13702 SOUTH 200 WEST B9
DRAPER, UT 84020

PHONE (801) 280-4000
FAX (801) 280-4040

MULTI-DIRECTIONAL GOAL

DRAWN	DATE	REV
	7/6/2011	-
SHT. NO.	PART NO.	
1 OF 1	28	