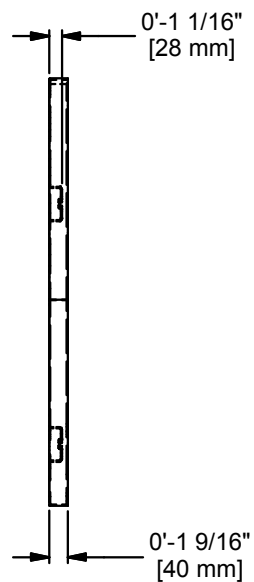
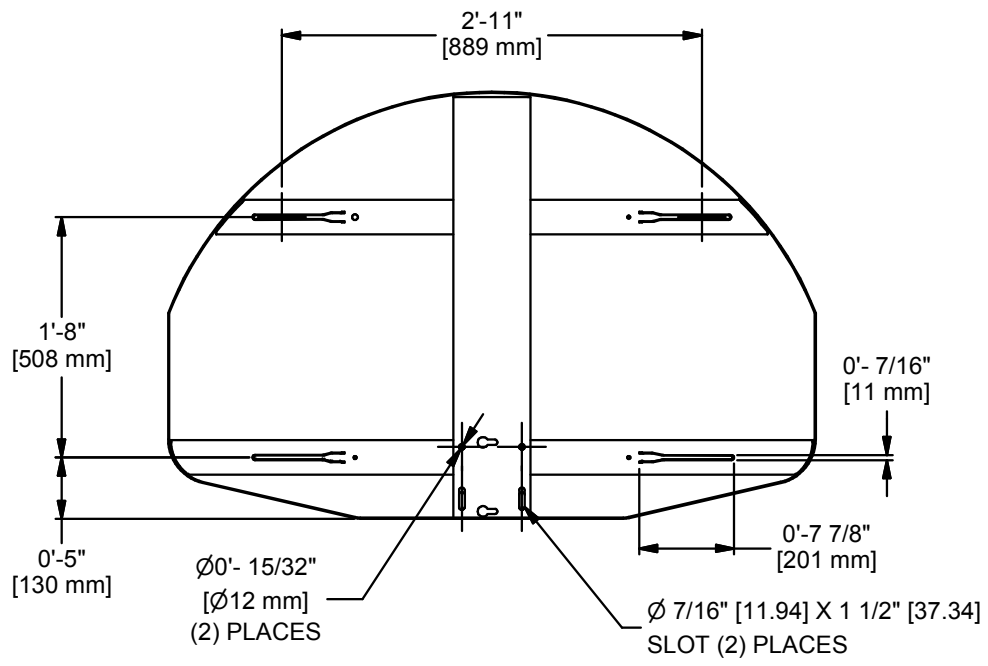


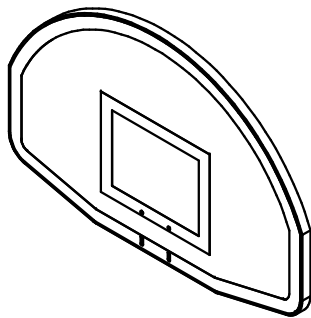
FRONT VIEW



SIDE VIEW



REAR VIEW



12 GA. STEEL STAMPED SHELL WITH 12 GA. FORMED HORIZONTAL MOUNTING CHANNELS AND A 10 GA. FORMED VERTICAL CHANNEL WELDED TO REVERSE SIDE.

BOARD IS POWDER COATED WHITE WITH ORANGE TARGET AND BORDER.



WWW.ADPLEMCO.COM  
SALES@ADPLEMCO.COM

13702 SOUTH 200 WEST B9  
DRAPER, UT 84020

PHONE (801) 280-4000  
FAX (801) 280-4040

35" X 54" FAN SHAPED STEEL BACKBOARD

DRAWN	DATE	REV
	12/6/2017	-
SHT. NO.	PART NO.	
1 OF 1	40	