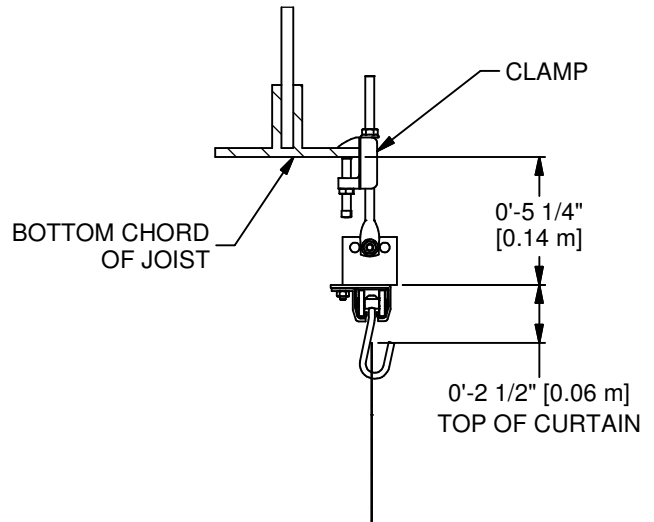
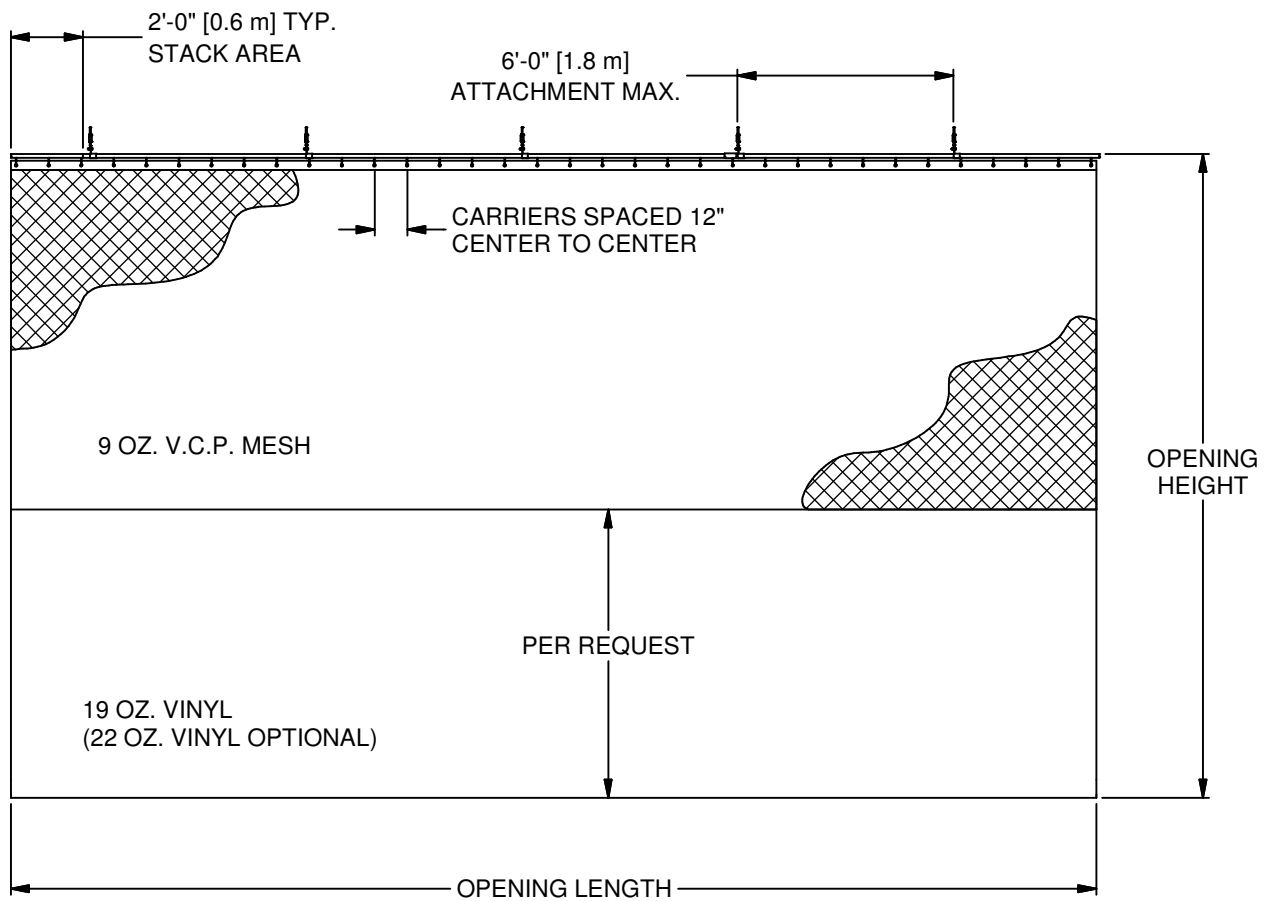


CURVE AND STACK DETAIL (OPTIONAL)



JOIST ATTACHMENT DETAIL



NOTE: 22 OZ. VINYL ONLY AVAILABLE IN RED, ROYAL BLUE, OR GRAY



WWW.ADPLEMCO.COM  
SALES@ADPLEMCO.COM

13702 SOUTH 200 WEST B9  
DRAPER, UT 84020

PHONE (801) 280-4000  
FAX (801) 280-4040

WALK DRAW CURTAIN

DRAWN	DATE	REV
	4/22/2003	-
SHT. NO.	PART NO.	
1 OF 1	6100	