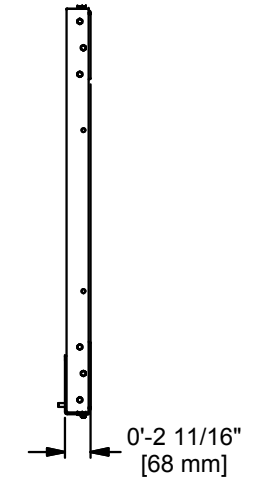
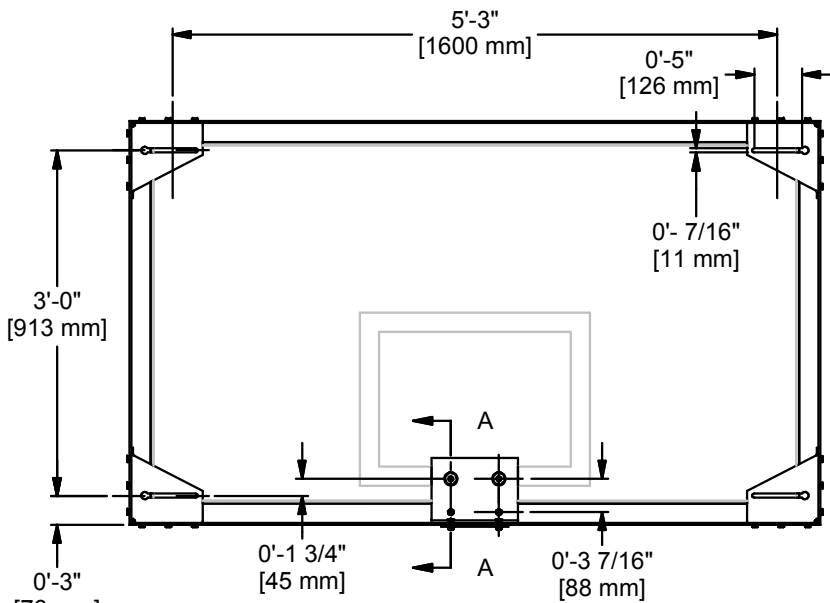


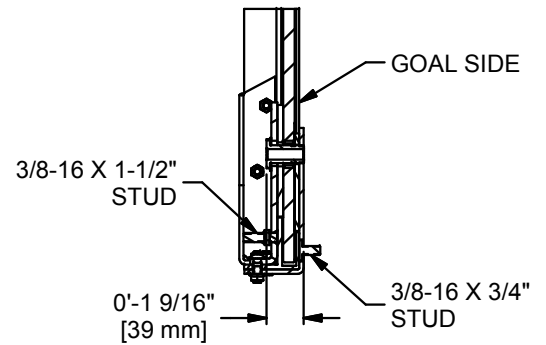
FRONT VIEW



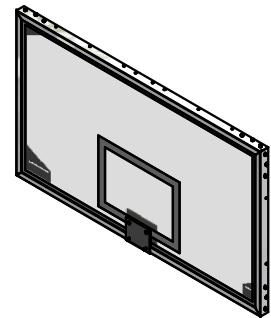
SIDE VIEW



REAR VIEW



SECTION A-A



MATERIAL IS 1/2" THICK TEMPERED GLASS WITH ALUMINUM FRAME

FINISH IS GRAY POWDER COAT ON BRACKETS AND PLATES..



WWW.ADPLEMCO.COM
 SALES@ADPLEMCO.COM

13702 SOUTH 200 WEST B9
 DRAPER, UT 84020

PHONE (801) 280-4000
 FAX (801) 280-4040

42" X 72" ALUMINUM FRAME GLASS BACKBOARD

DRAWN	DATE	REV
	5/2/2003	-
SHT. NO.	PART NO.	
1 OF 1	64	