

KEY SWITCH AND COVER INCLUDED
2x4x 2 1/2 BOX NOT INCLUDED

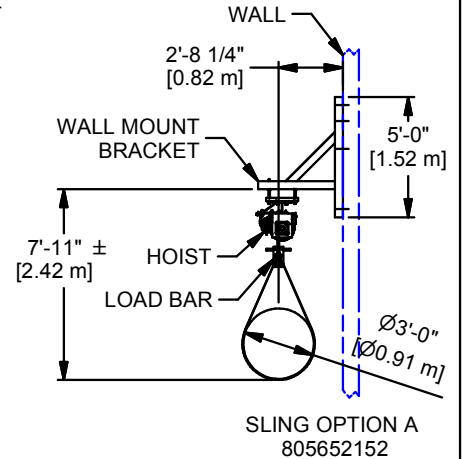
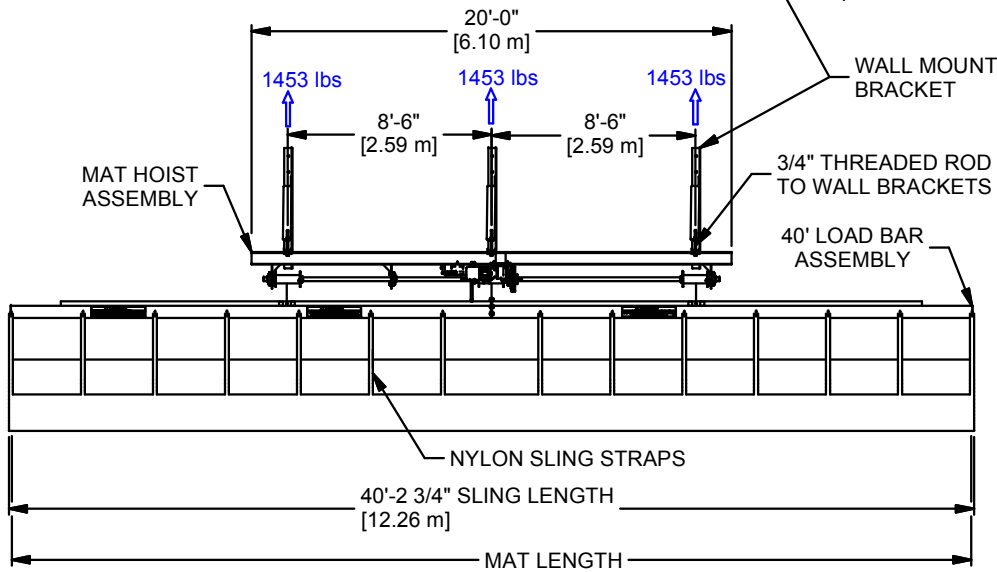
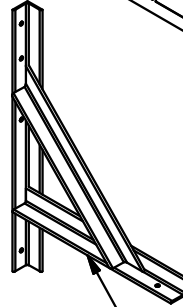
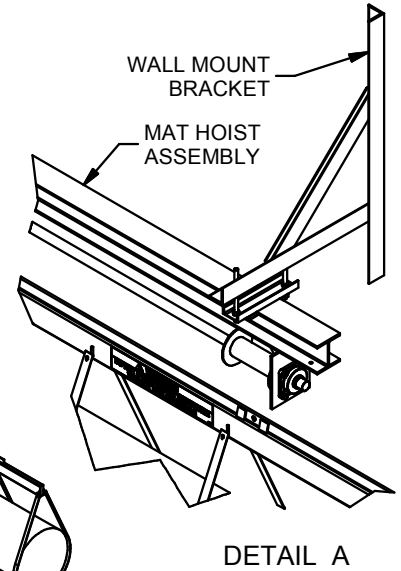
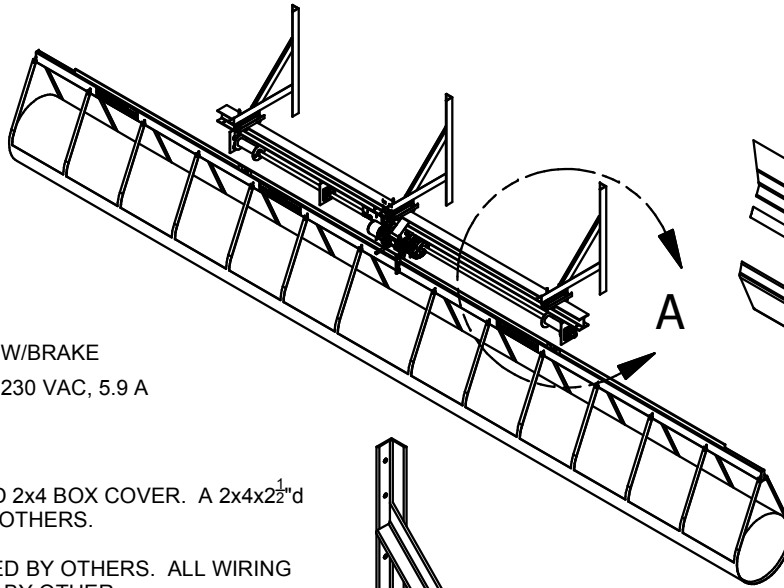
ELECTRICAL DATA

- 2HP GEAR-MOTOR, 3PH 60HZ W/BRAKE
 - 208 VAC, 6.1 A □ 230 VAC, 5.9 A
 - 460 VAC, 3.5 A

-INCLUDES A KEY SWITCH AND 2x4 BOX COVER. A 2x4x2¹/₂d JUNCTION BOX SUPPLIED BY OTHERS.

-FUSED DISCONNECT SUPPLIED BY OTHERS. ALL WIRING AND RECEPTILES SUPPLIED BY OTHER.

-CORRECT MOTOR ROTATION MUST BE VERIFIED BY ELECTRICAL CONTRACTOR DURING ELECTRICAL INSTALLATION. REVIEW INSTALLATION MANUAL FOR IMPORTANT INSTRUCTIONS.



NOTES:

- STRUCTURE SUPPLIED BY OTHERS TO BE FIELD VERIFIED BEFORE PRODUCTION.
- KEY SWITCH MUST BE LOCATED IN AN AREA THAT ALLOWS THE HOIST TO BE VISIBLE TO THE OPERATOR, BUT CLEAR OF THE MAT LOAD.

	WEIGHT (lbs)
MAT HOIST ASSY	1,200
Wall Mounting Brackets	339
LOAD BAR & SLING	616
ROLLED MAT (maximum)*	2,205
TOTAL	4,360

*TOTAL MAT LENGTH NOT TO EXCEED 45'



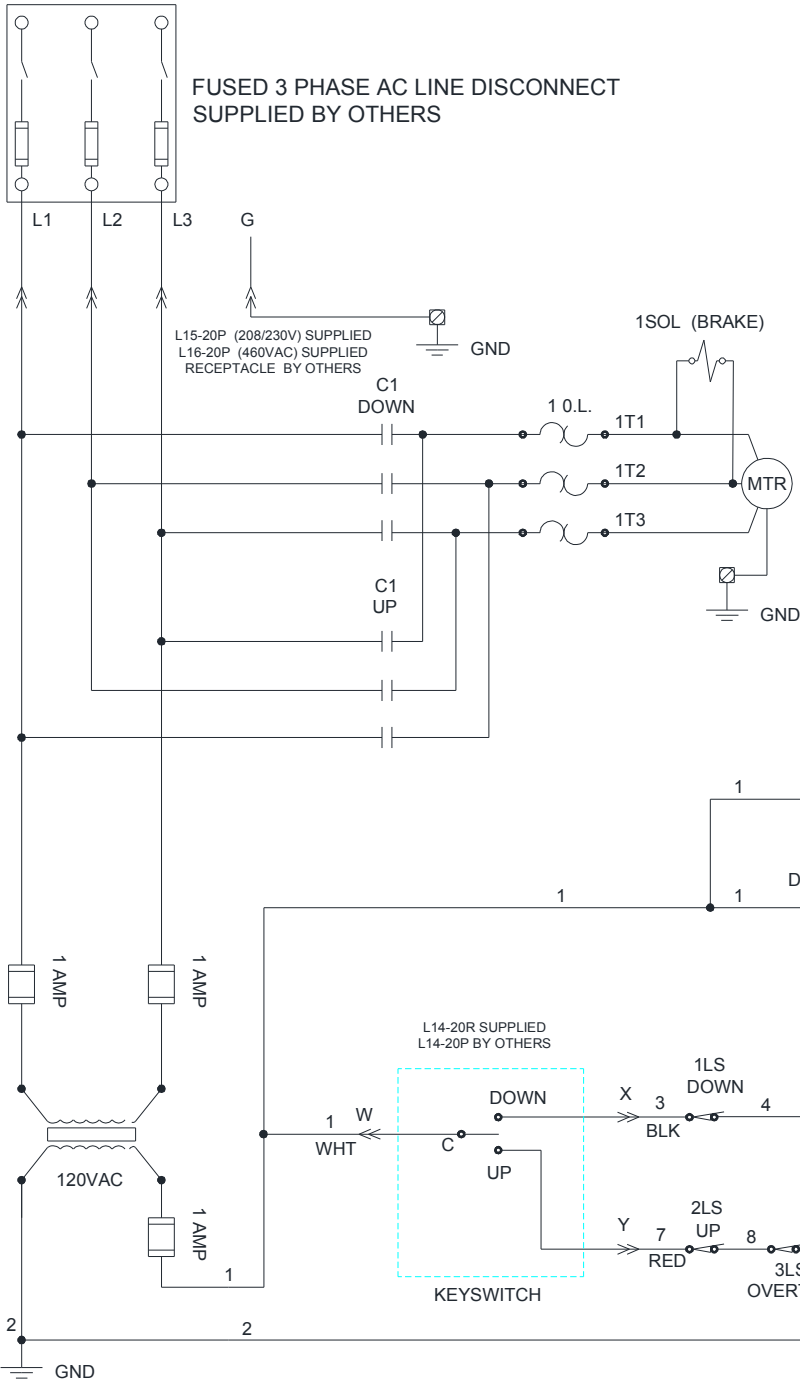
WWW.ADPLEMCO.COM
SALES@ADPLEMCO.COM

13702 SOUTH 200 WEST B9
DRAPER, UT 84020

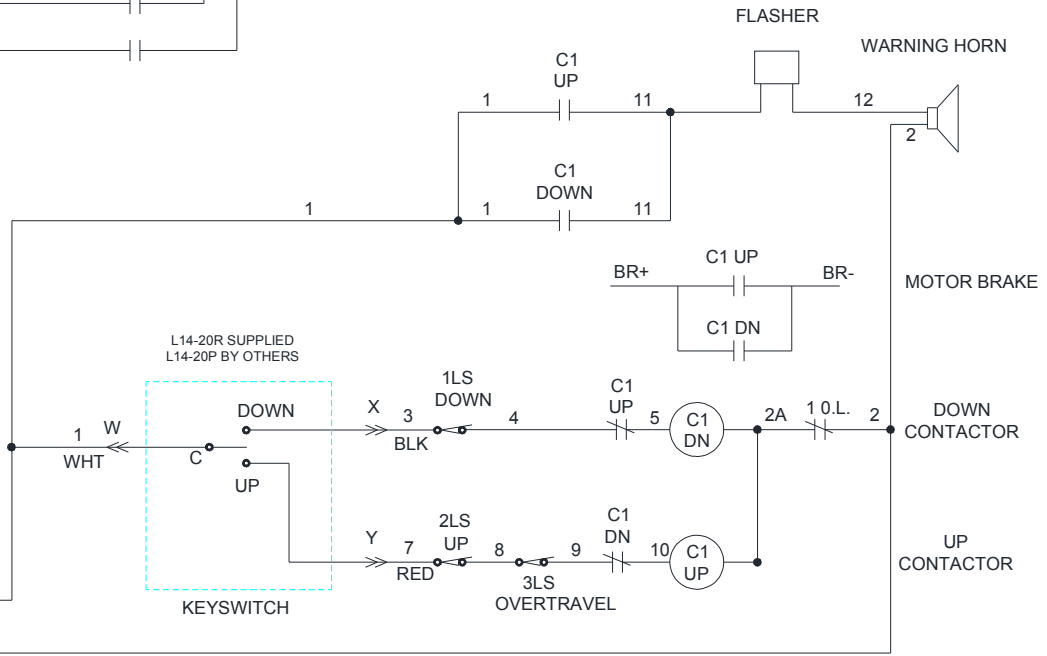
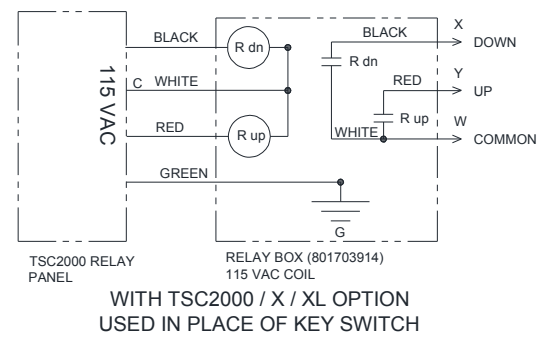
PHONE (801) 280-4000
FAX (801) 280-4040

MAT HOIST, 40' SGL LOAD BAR, WALL MOUNT

DRAWN	DATE	REV
	11/10/2016	-
SHT. NO.	PART NO.	
1 OF 2	8100	



2 HP 3PH 60HZ MOTOR DATA	
VOLTAGE	FLA (AMPS)
208 V	6.1
230 V	5.9
480 V	3.5



- CONNECTORS ON CONTROL BOX SUPPLIED WITH 6' CORD. MATING CONNECTORS SUPPLIED BY OTHERS.
- ROTATION MUST BE SET BY THE ELECTRICAL CONTRACTOR AT FIELD STARTUP. CHANGE ROTATION AT THE SUPPLY CONNECTION, NOT AT THE KEY SWITCH CONNECTION. CHANGING ROTATION AT KEY SWITCH CAN CAUSE SERIOUS DAMAGE. REVIEW INSTRUCTIONS IN INSTALLATION MANUAL.

ADPLEMCO
INCORPORATED

WWW.ADPLEMCO.COM
SALES@ADPLEMCO.COM

13702 SOUTH 200 WEST B9
DRAPER, UT 84020

PHONE (801) 280-4000
FAX (801) 280-4040

MAT HOIST WIRING SCHEMATIC 3PH POWER

DRAWN	DATE	REV
	11/10/2016	-
SHT. NO.	PART NO.	
2 OF 2	8100	