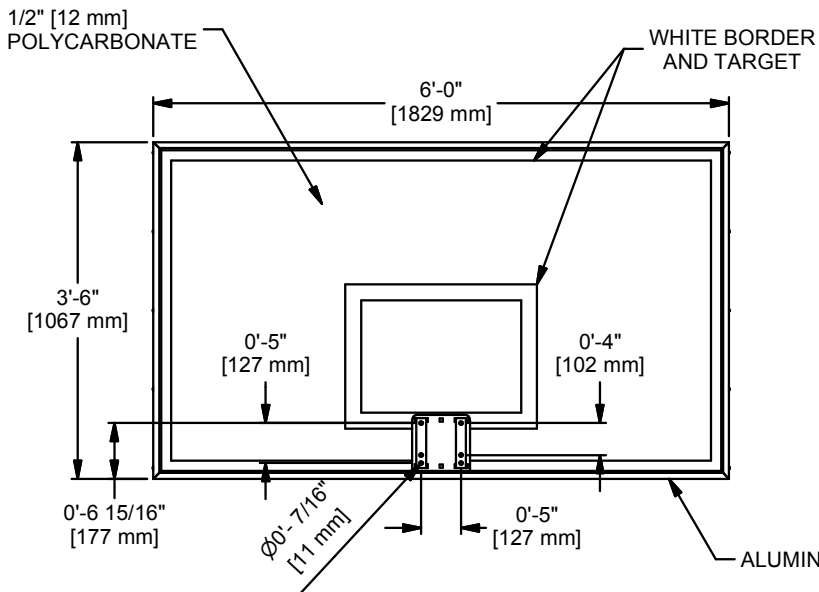
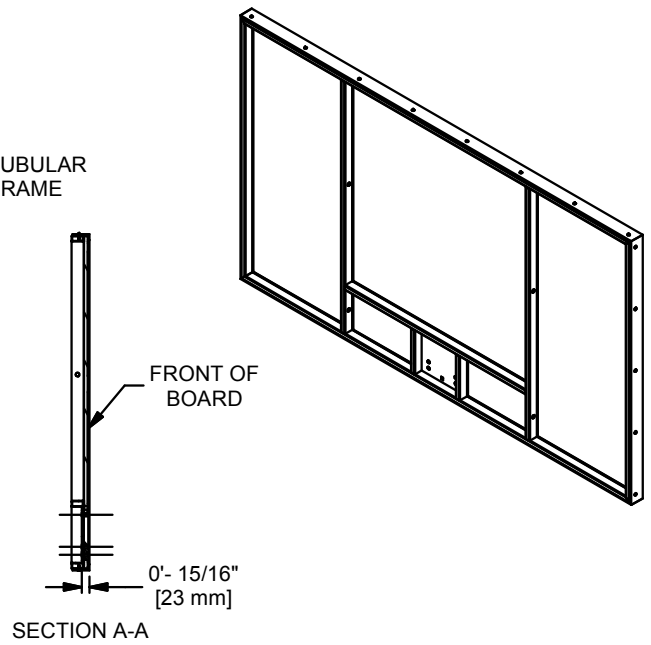
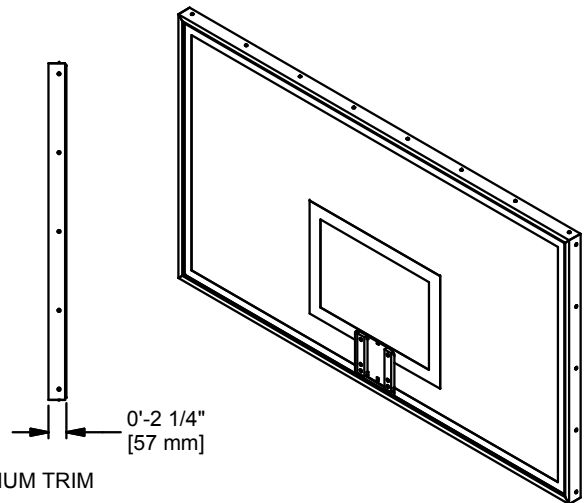


REAR VIEW



FRONT VIEW



WWW.ADPLEMCO.COM
SALES@ADPLEMCO.COM

13702 SOUTH 200 WEST B9
DRAPER, UT 84020

PHONE (801) 280-4000
FAX (801) 280-4040

72" X 42" X 1/2" POLYCARBONATE BOARD

| | | |
|----------|-----------|-----|
| DRAWN | DATE | REV |
| | 3/21/2018 | |
| SHT. NO. | PART NO. | |
| 1 OF 1 | 84 | |