

REVISION		
REV.	DATE	BY



13702 SOUTH 200 WEST B9 DRAPER, UT 84020  
 WWW.ADPLEMCO.COM

PHONE (801) 280-4000  
 FAX (801) 280-4040  
 SALES@ADPLEMCO.COM

THIS DOCUMENT CONTAINS TRADE SECRET AND OTHER MATERIALS WHICH ARE PROTECTED BY CONFIDENTIALITY NOTICE AND AGREEMENT AND BY COPYRIGHT. ANY USE OR COPYING OF THIS DOCUMENT EXCEPT AS AUTHORIZED BY ADP LEMCO INC, IS STRICTLY PROHIBITED.

**HEIGHT ADJUSTER - ELECTRIC**

SIZE <b>A</b>	SCALE NONE	SHT. NO. 1 OF 1	PART NO. <b>125EL</b>	REV <b>D</b>
------------------	---------------	--------------------	--------------------------	-----------------



## **MODEL 125EL**

### **ELECTRIC HEIGHT ADJUSTER**

#### **APPLICATION**

This unit is designed to electrically adjust goal height from 8' to 10'. This unit is operated with your choice hard wire kit or power wand kit and power wand. (One power wand may be used to operate several electric adjust-a-goals.) This unit may be installed on any ADP Lemco basketball units as well as many other manufacturers.

#### **MATERIAL**

Vertical tubing shall allow the slide tubing to move freely without binding. Horizontal structure are two 2" x 4" x 1/8" thick steel L braces, one at each end. A 3 1/2" x 3/4" x 1/8" thick steel c-channel is used as a direct goal attachment to transfer loads from backboard to the surrounding framework. All components are welded to ensure stability during normal play. Electric actuator shall provide smooth, reversible linear motion for loads up to 600 lbs. and travel 24". Actuator to have 25% duty cycle and factory set cam style limit switches. Height indicator label located on the back of the unit shall be used to visually determine height settings from 8' to 10' in 3" increments.

Unit shall be furnished with standard flat black finish and should not be painted after shipment. Unit must be periodically lubricated to insure proper function and ease of height adjustment.

**ELECTRICAL REQUIREMENTS**

MINIMUM CIRCUIT REQUIREMENTS  
115 VAC, 60 Hz SINGLE PHASE,  
20 AMP SERVICE.

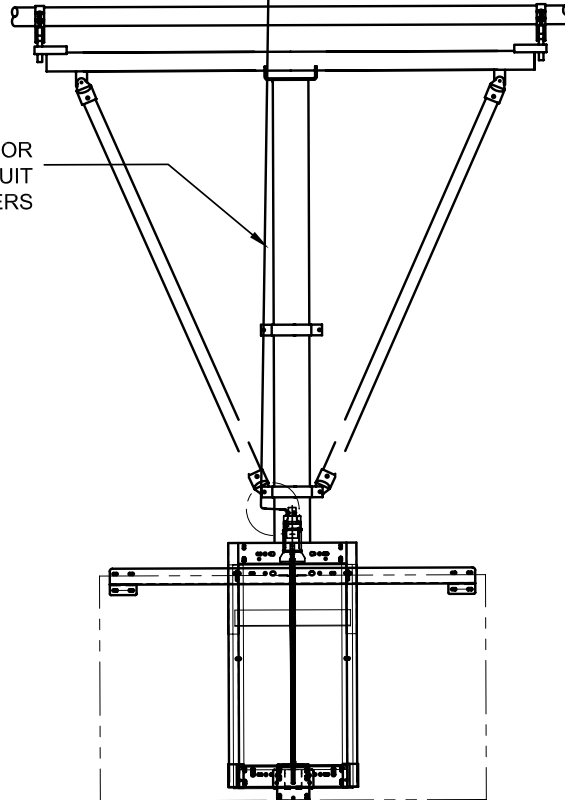
SWITCH BOX SIZE  
3" TALL X 2" WIDE X 2-3/4" DEEP

TO KEY SWITCH  
OR  
OPTIONAL TSC  
RELAY BOX

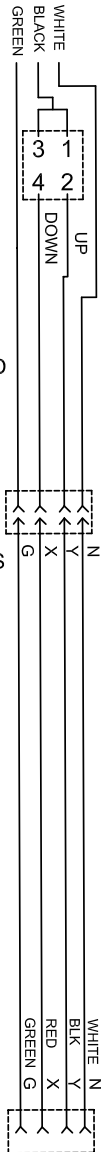
FEMALE RECEPTACLE

MALE PLUG

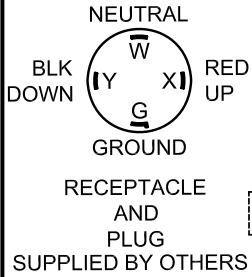
SJO CORD OR  
FLEXIBLE CONDUIT  
SUPPLIED BY OTHERS



120 V.  
POWER  
SUPPLY



KEY  
SWITCH



WIRING DIAGRAM

REVISION		
REV.	DATE	BY



13702 SOUTH 200 WEST B9 DRAPER, UT 84020  
WWW.ADPLEMCO.COM

PHONE (801) 280-4000  
FAX (801) 280-4040  
SALES@ADPLEMCO.COM

THIS DOCUMENT CONTAINS TRADE SECRET AND OTHER MATERIALS WHICH ARE PROTECTED BY CONFIDENTIALITY NOTICE AND AGREEMENT AND BY COPYRIGHT. ANY USE OR COPYING OF THIS DOCUMENT EXCEPT AS AUTHORIZED IS STRICTLY PROHIBITED.

**ELECTRICAL SCHEMATIC**

SIZE	SCALE	SHT. NO.	PART NO.
A	NONE	1 OF 1	