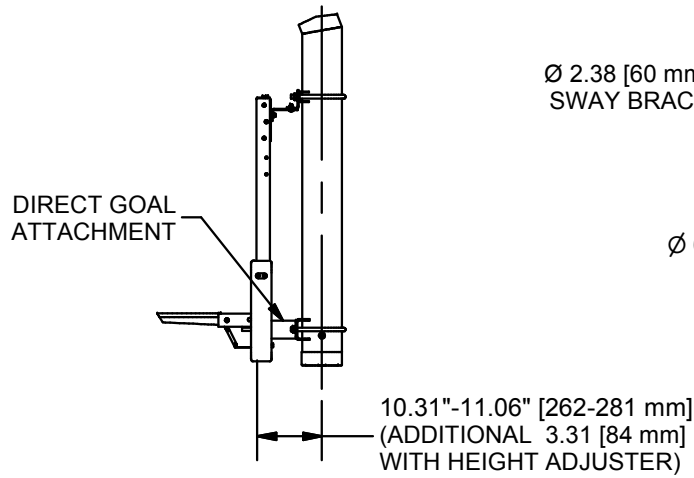
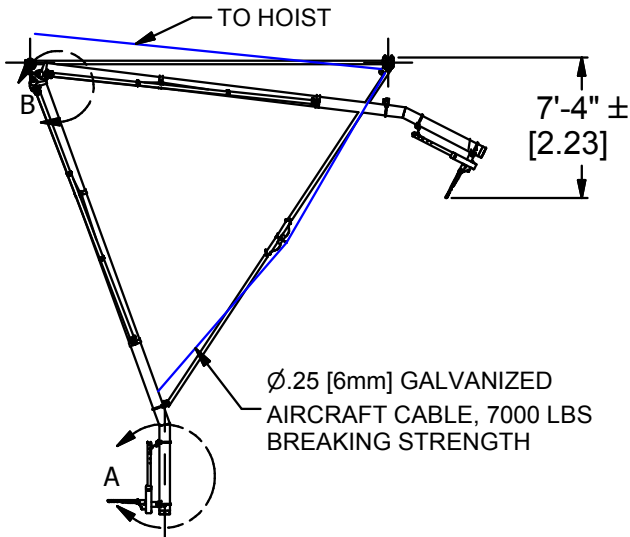
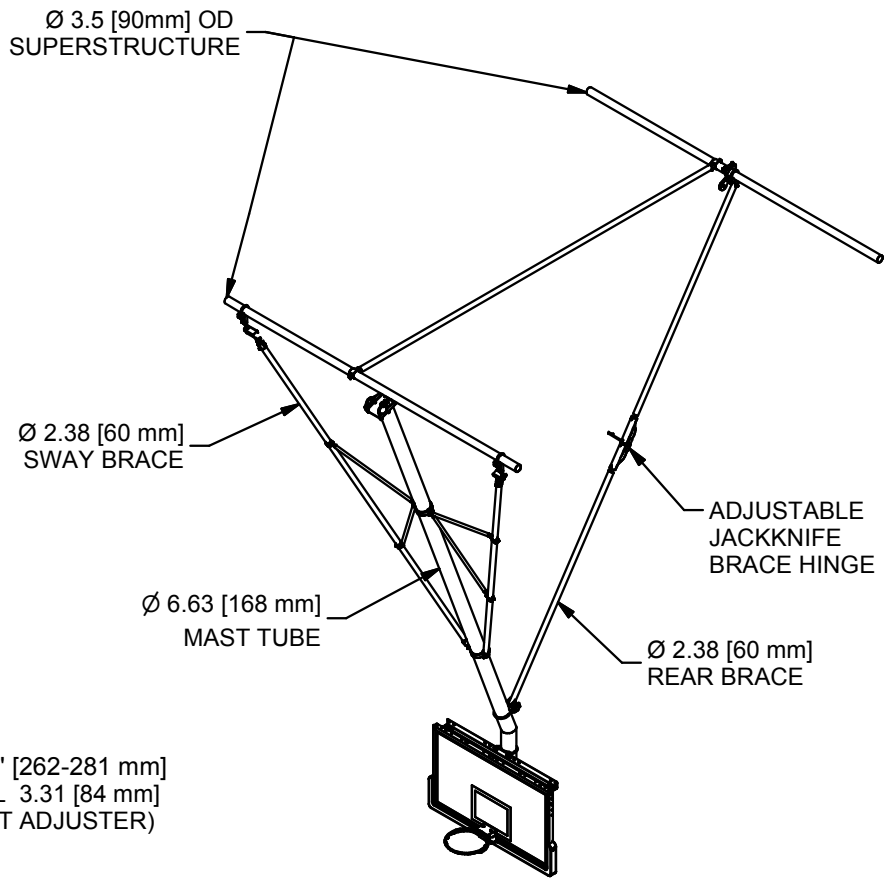


DETAIL B



DETAIL A



BACKSTOP CONFIGURATION SHOWN ON THIS PAGE IS FOR BACKSTOPS UP TO 36' TRUSS ELEVATION.

SEE SHEET 2 FOR BACKSTOP CONFIGURATIONS 36' AND HIGHER TRUSS ELEVATION.



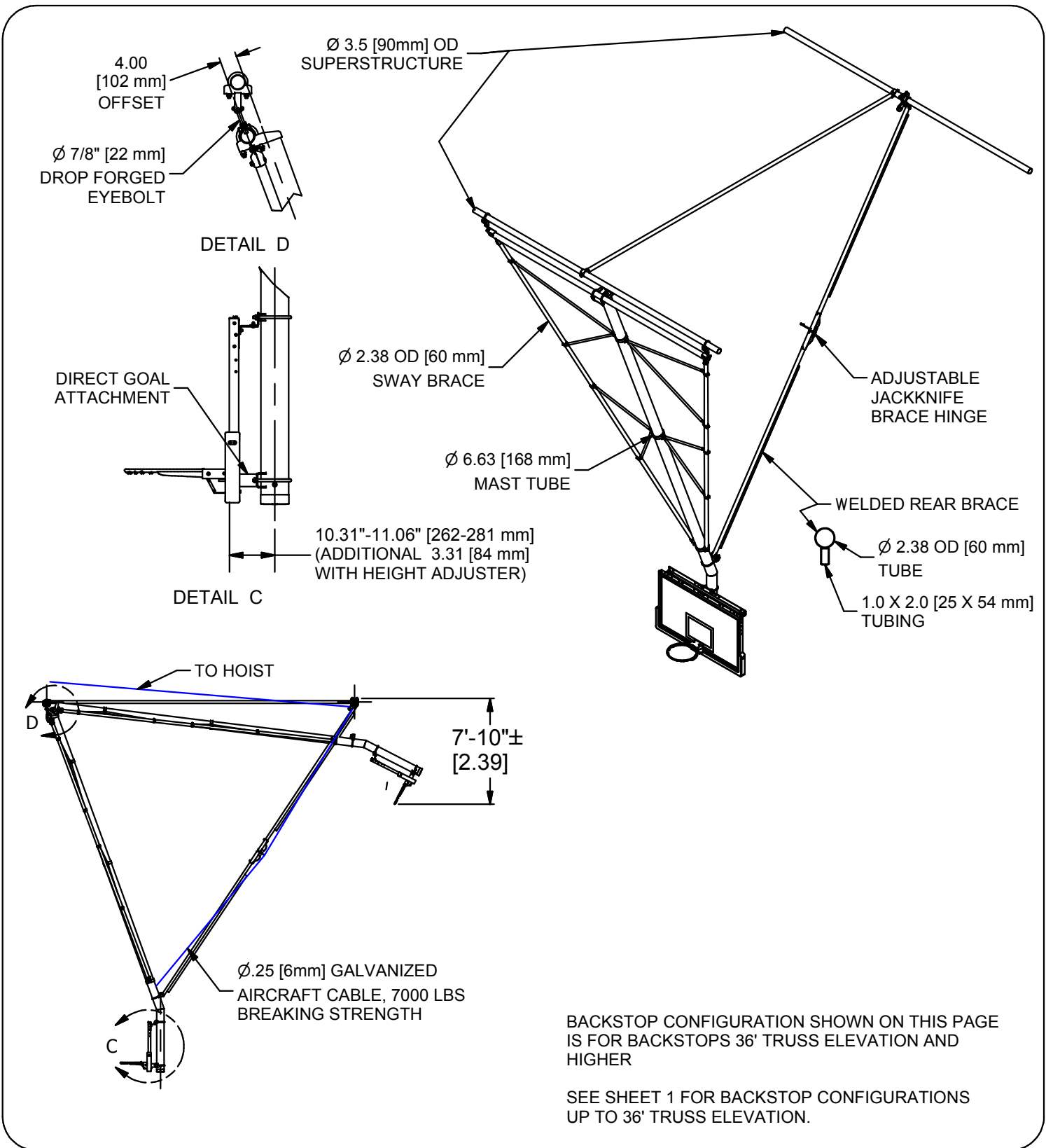
WWW.ADPLEMCO.COM
SALES@ADPLEMCO.COM

13702 SOUTH 200 WEST B9
DRAPER, UT 84020

PHONE (801) 280-4000
FAX (801) 280-4040

CLAMPED REAR BRACED REAR FOLDING BENT MAST BACKSTOP

DRAWN	DATE	REV
	12/6/2017	-
SHT. NO.	PART NO.	
1 OF 2	1315BT	



WWW.ADPLEMCO.COM
SALES@ADPLEMCO.COM

13702 SOUTH 200 WEST B9
DRAPER, UT 84020

PHONE (801) 280-4000
FAX (801) 280-4040

CLAMPED REAR BRACED REAR FOLDING BENT MAST
BACKSTOP

DRAWN	DATE	REV
	12/6/2017	-
SHT. NO.	PART NO.	
2 OF 2	1315BT	