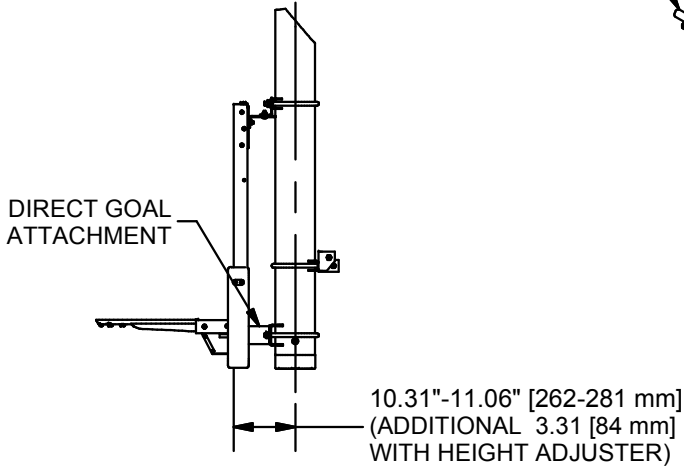
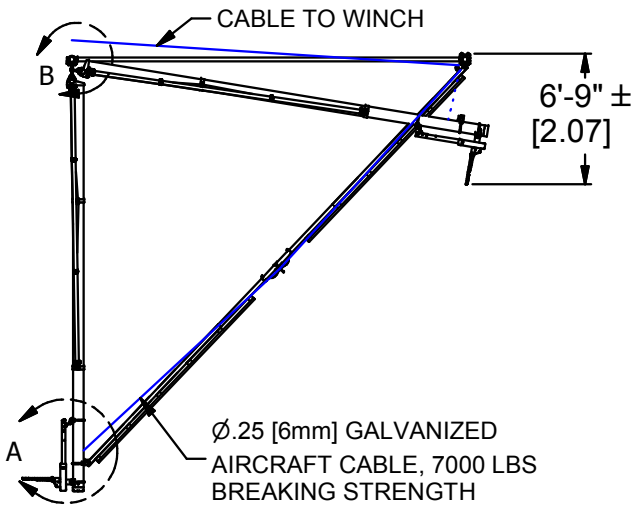
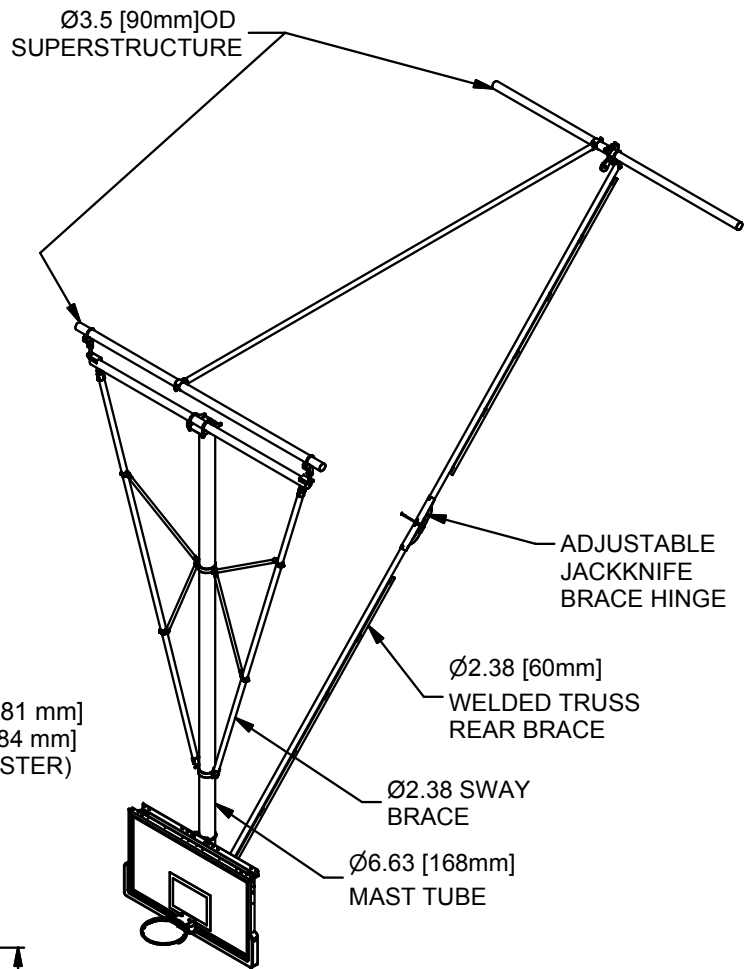


DETAIL B



DETAIL A



BACKSTOP CONFIGURATION SHOWN ON THIS PAGE IS FOR BACKSTOPS UP TO 36' TRUSS ELEVATION.

SEE SHEET 2 FOR BACKSTOP CONFIGURATIONS 36' AND HIGHER TRUSS ELEVATION.



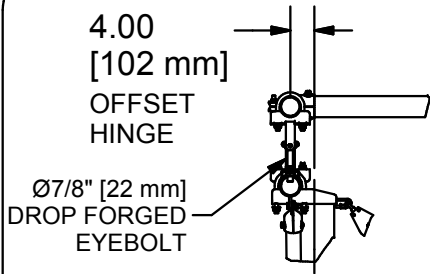
WWW.ADPLEMCO.COM  
SALES@ADPLEMCO.COM

13702 SOUTH 200 WEST B9  
DRAPER, UT 84020

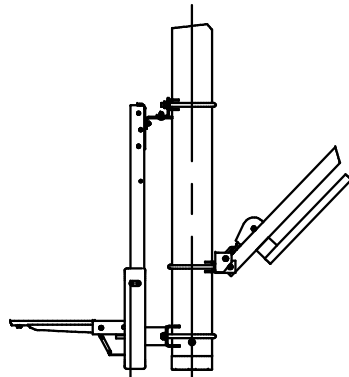
PHONE (801) 280-4000  
FAX (801) 280-4040

CLAMPED REAR BRACED REAR FOLDING

DRAWN	DATE	REV
	12/6/2017	-
SHT. NO.	PART NO.	
1 OF 2	1345BT	



DETAIL D



DETAIL C

Ø3.5 [90mm]OD SUPERSTRUCTURE

Ø3.5" O.D. [90mm] SPREADER TUBE

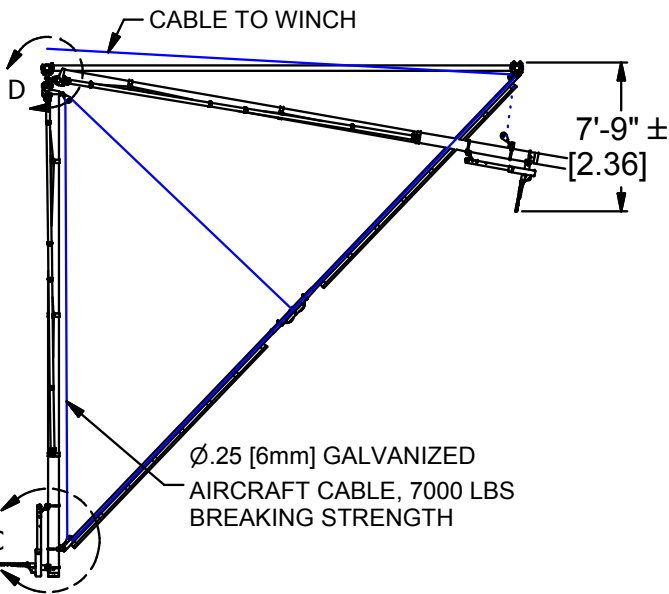
(3) MAST HINGES

ADJUSTABLE JACKKNIFE BRACE HINGE

Ø2.38 [60mm] WELDED TRUSS REAR BRACE

Ø2.38 SWAY BRACE

Ø6.63 [168mm] MAST TUBE



BACKSTOP CONFIGURATION SHOWN ON THIS PAGE IS FOR BACKSTOPS 36' TRUSS ELEVATION AND HIGHER

SEE SHEET 1 FOR BACKSTOP CONFIGURATIONS UP TO 36' TRUSS ELEVATION.



WWW.ADPLEMCO.COM  
SALES@ADPLEMCO.COM

13702 SOUTH 200 WEST B9  
DRAPER, UT 84020

PHONE (801) 280-4000  
FAX (801) 280-4040

CLAMPED REAR BRACED REAR FOLDING

DRAWN	DATE	REV
	12/6/2017	-
SHT. NO.	PART NO.	
2 OF 2	1345BT	