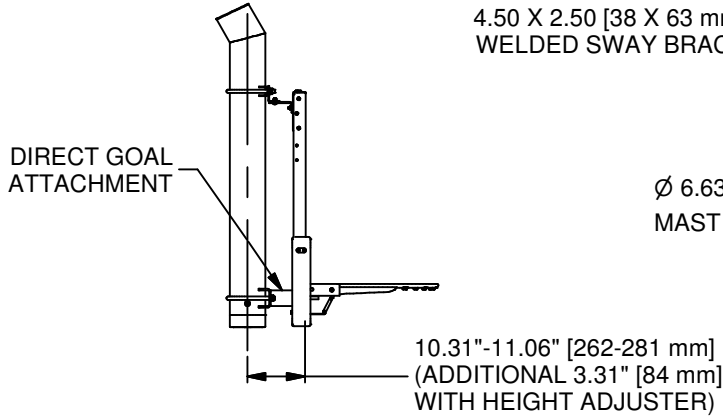
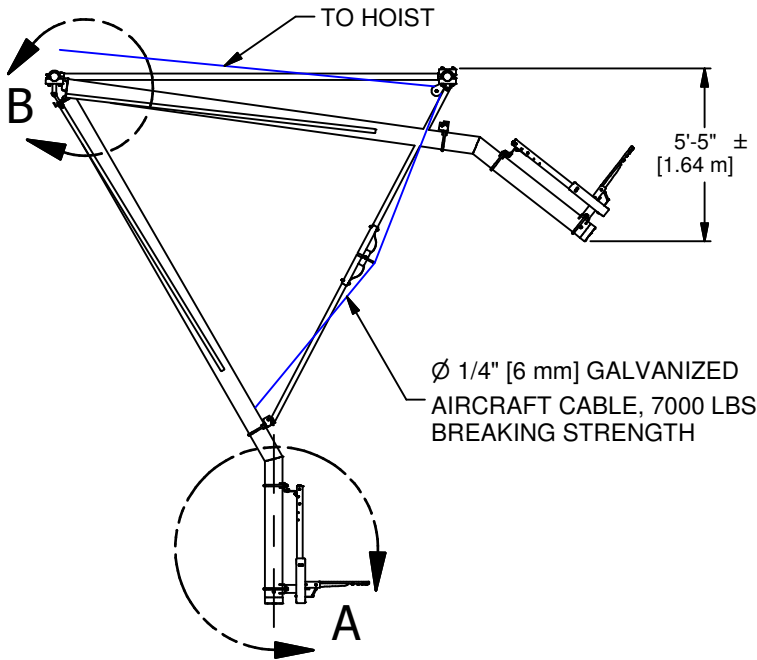
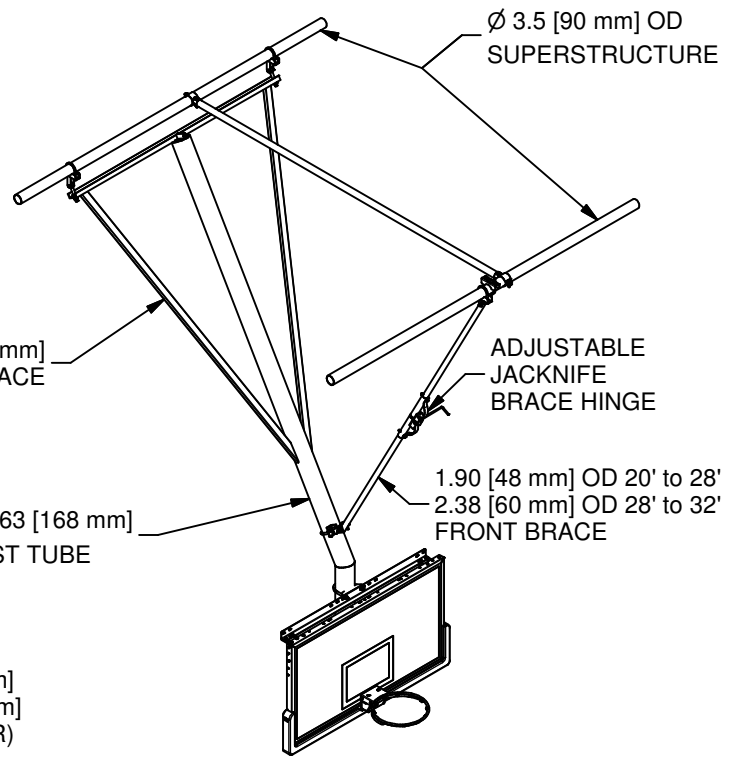


DETAIL B



DETAIL A



WWW.ADPLEMCO.COM
 SALES@ADPLEMCO.COM

13702 SOUTH 200 WEST B9
 DRAPER, UT 84020

PHONE (801) 280-4000
 FAX (801) 280-4040

WELDED FRONT BRACED FRONT FOLDING, BENT MAST

DRAWN	DATE	REV
	4/30/2003	-
SHT. NO.	PART NO.	
1 OF 1	1355	