

BACKSTOP CONFIGURATION SHOWN ON THIS PAGE IS FOR BACKSTOPS UP TO 36' TRUSS ELEVATION.

SEE SHEET 2 FOR BACKSTOP CONFIGURATIONS 36' AND HIGHER TRUSS ELEVATION.



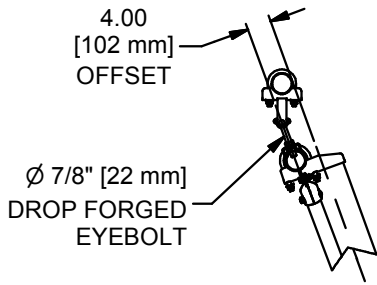
WWW.ADPLEMCO.COM
SALES@ADPLEMCO.COM

13702 SOUTH 200 WEST B9
DRAPER, UT 84020

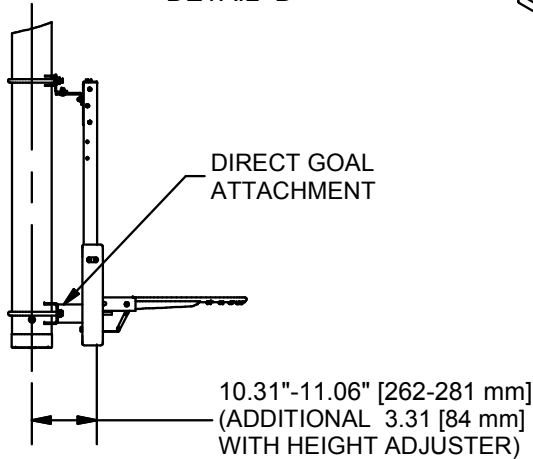
PHONE (801) 280-4000
FAX (801) 280-4040

CLAMPED REAR BRACED REAR FOLDING BENT MAST BACKSTOP

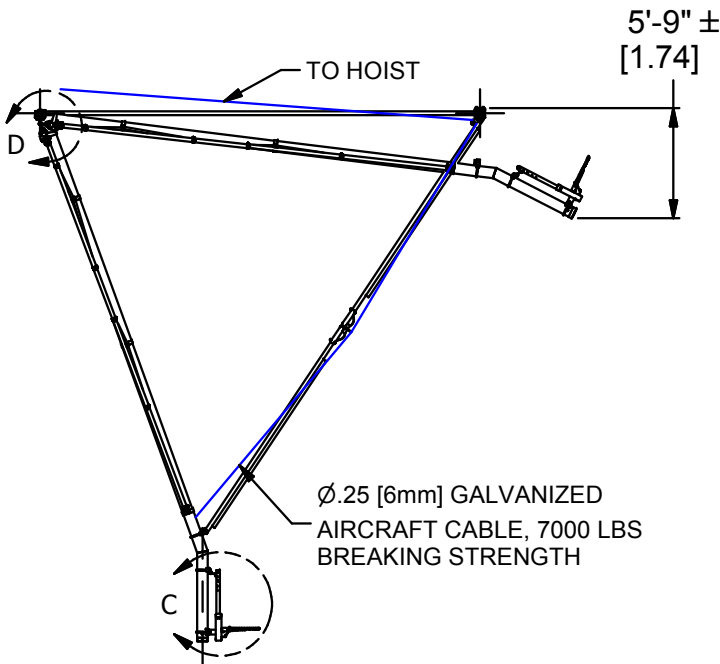
DRAWN	DATE	REV
	12/6/2017	-
SHT. NO.	PART NO.	
1 OF 2	1355BT	



DETAIL D



DETAIL C



Ø 3.5 [90mm] OD SUPERSTRUCTURE

ADJUSTABLE JACKKNIFE BRACE HINGE

WELDED FRONT BRACE

Ø 2.38 OD [60 mm] SWAY BRACE

Ø 6.63 [168 mm] MAST TUBE



Ø 2.38 OD [60 mm] TUBE

1.0 X 2.0 [25 X 54 mm] TUBING

BACKSTOP CONFIGURATION SHOWN ON THIS PAGE IS FOR BACKSTOPS 36' TRUSS ELEVATION AND HIGHER

SEE SHEET 1 FOR BACKSTOP CONFIGURATIONS UP TO 36' TRUSS ELEVATION.



WWW.ADPLEMCO.COM
SALES@ADPLEMCO.COM

13702 SOUTH 200 WEST B9
DRAPER, UT 84020

PHONE (801) 280-4000
FAX (801) 280-4040

CLAMPED FRONT BRACED FRONT FOLDING BENT MAST BACKSTOP

DRAWN	DATE	REV
	12/6/2017	-
SHT. NO.	PART NO.	
2 OF 2	1355BT	