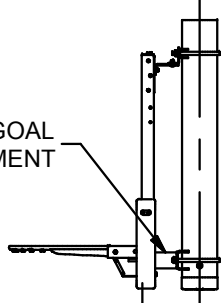


DETAIL B

DIRECT GOAL ATTACHMENT



SECTION A-A

10.31"-11.06" [262-281 mm] (ADDITIONAL 3.31" [84 mm] WITH HEIGHT ADJUSTER)

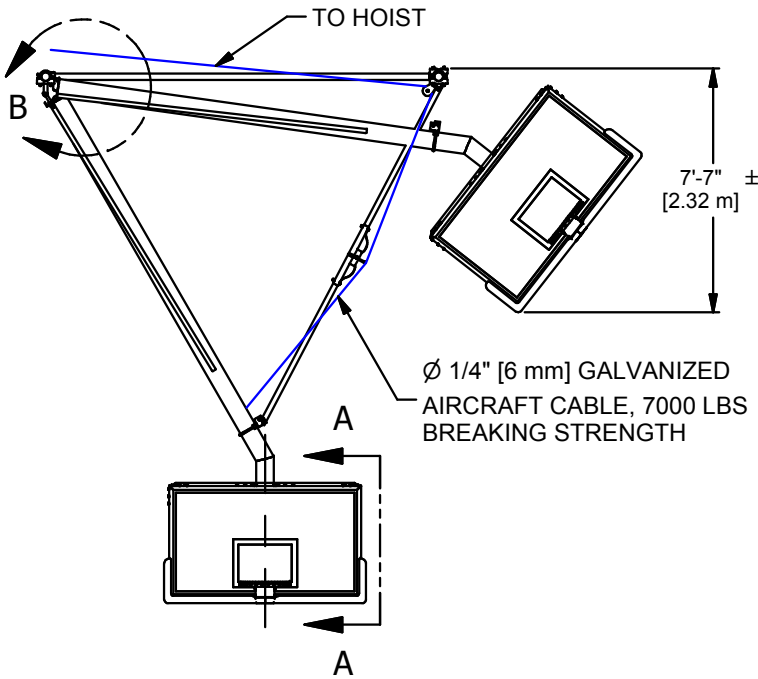
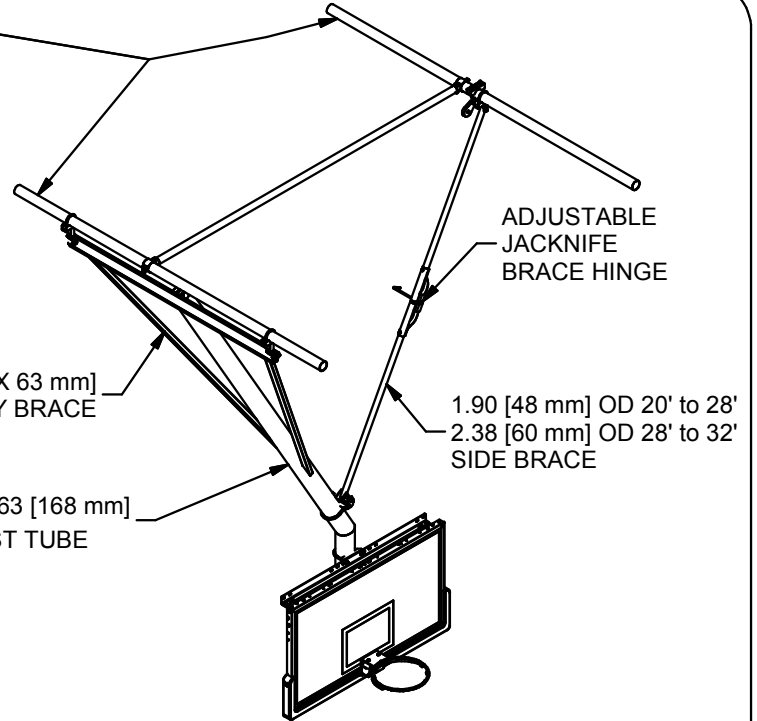
Ø 3.5 [90 mm] OD SUPERSTRUCTURE

4.50 X 2.50 [38 X 63 mm] WELDED SWAY BRACE

Ø 6.63 [168 mm] MAST TUBE

ADJUSTABLE JACKKNIFE BRACE HINGE

1.90 [48 mm] OD 20' to 28'  
 2.38 [60 mm] OD 28' to 32' SIDE BRACE



WWW.ADPLEMCO.COM  
 SALES@ADPLEMCO.COM

13702 SOUTH 200 WEST B9  
 DRAPER, UT 84020

PHONE (801) 280-4000  
 FAX (801) 280-4040

WELDED SIDE BRACED SIDE FOLDING, BENT MAST

DRAWN	DATE	REV
	12/6/2017	-

SHT. NO.	PART NO.
1 OF 1	1375