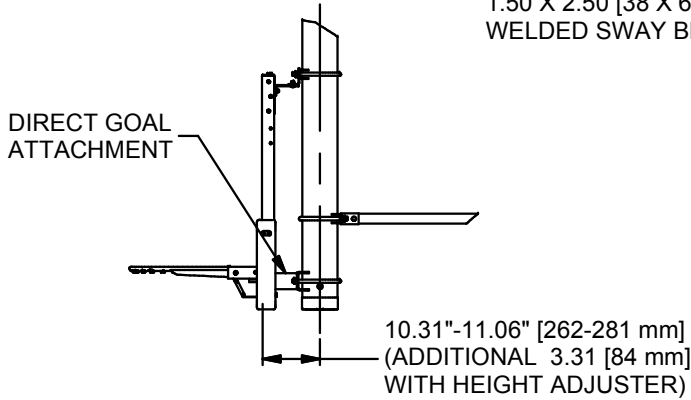
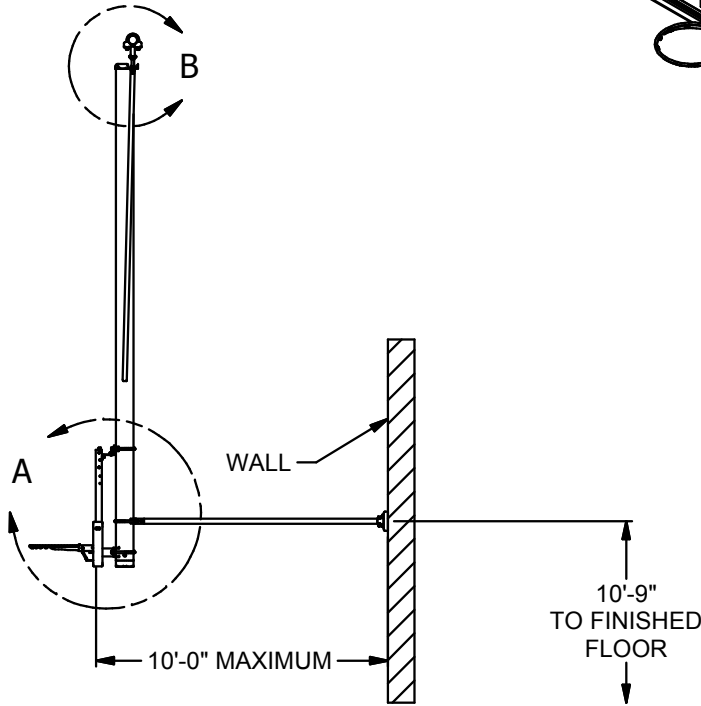
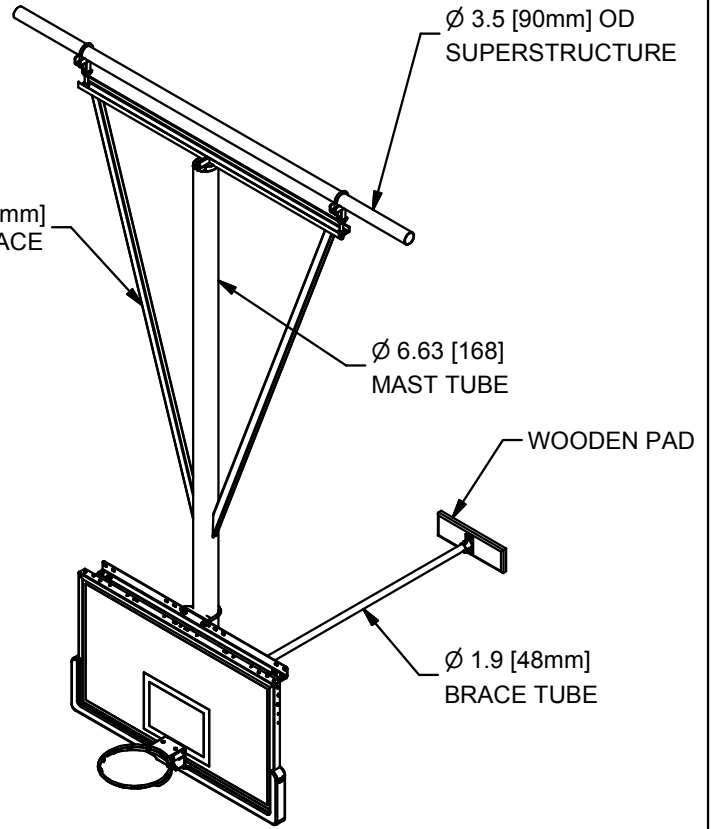


DETAIL B



DETAIL A

1.50 X 2.50 [38 X 63 mm]
WELDED SWAY BRACE



WWW.ADPLEMCO.COM
SALES@ADPLEMCO.COM

13702 SOUTH 200 WEST B9
DRAPER, UT 84020

PHONE (801) 280-4000
FAX (801) 280-4040

WELDED WALL BRACED STATIONARY BACKSTOP

DRAWN	DATE	REV
	12/6/2017	-

SHT. NO.	PART NO.
1 OF 1	1400