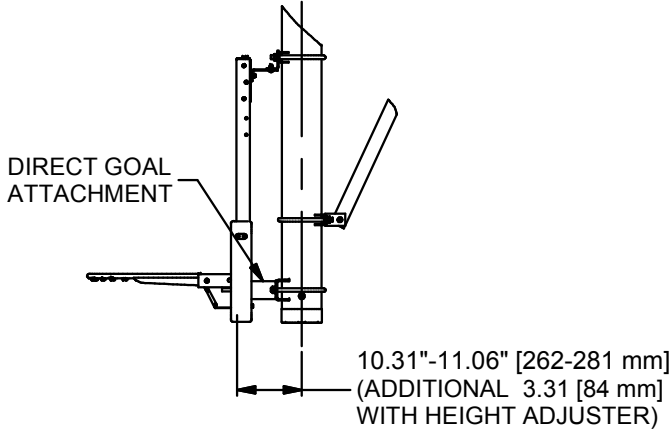
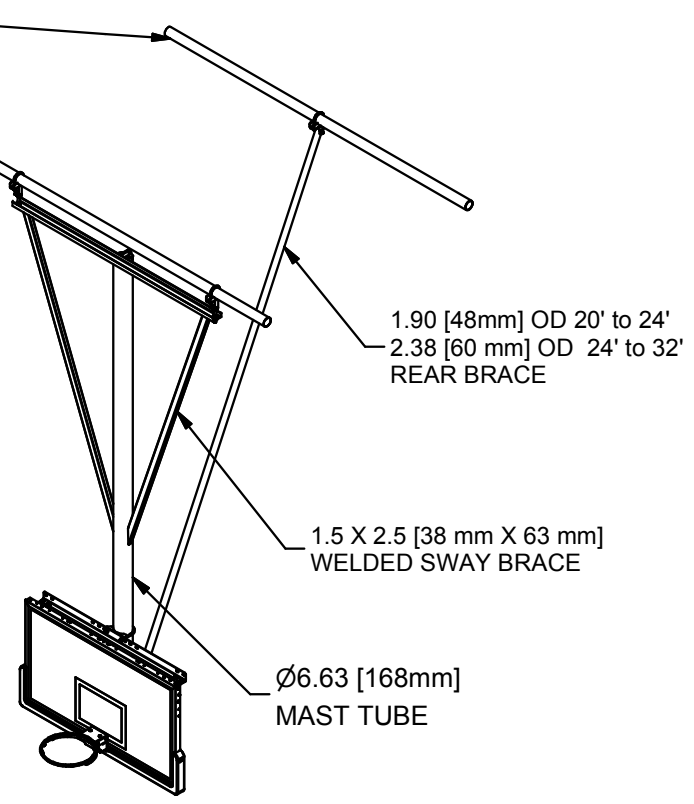
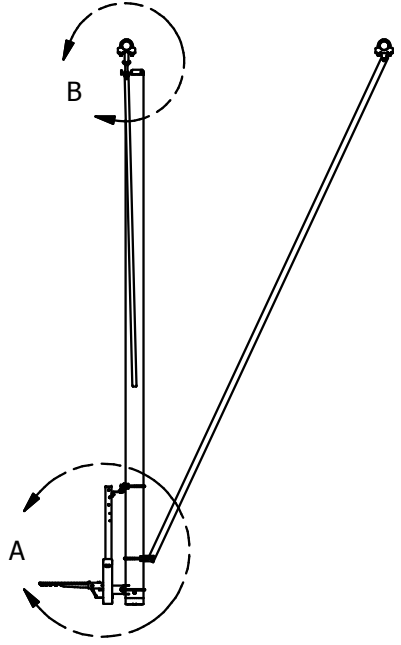


DETAIL B



DETAIL A



13702 SOUTH 200 WEST B9
DRAPER, UT 84020

WWW.ADPLEMCO.COM
SALES@ADPLEMCO.COM

PHONE (801) 280-4000
FAX (801) 280-4040

WELDED REAR BRACED STATIONARY BACKSTOP

DRAWN	DATE	REV
	12/6/2017	-
SHT. NO.	PART NO.	
1 OF 1	1500	