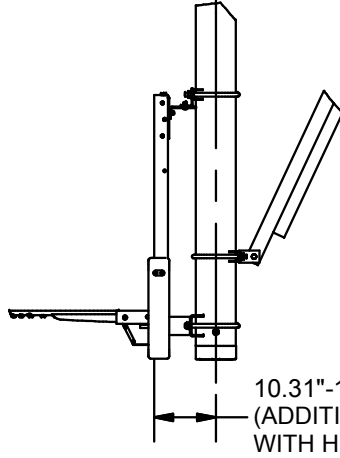
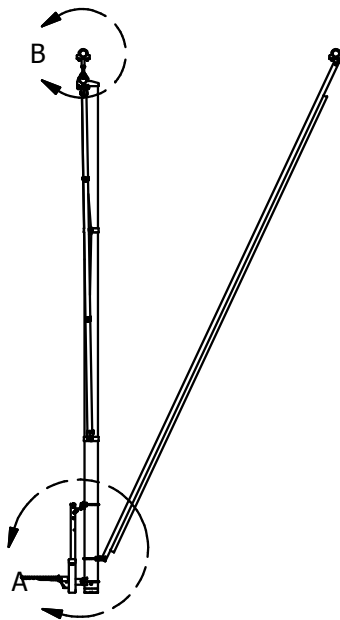


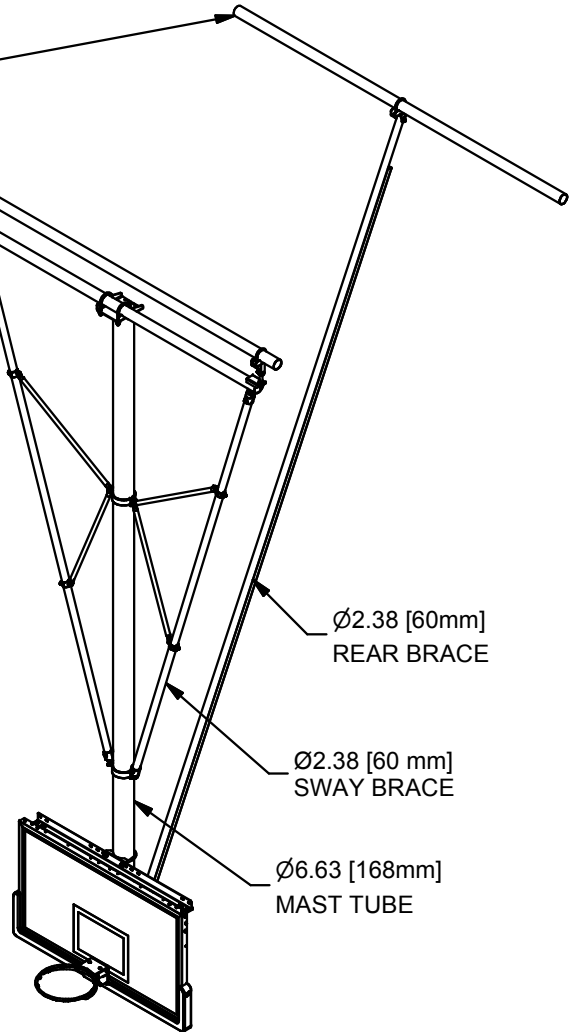
DETAIL B



DETAIL A



Ø3.5 OD [90mm] SUPERSTRUCTURE



BACKSTOP CONFIGURATION SHOWN ON THIS PAGE IS FOR BACKSTOPS UP TO 36' TRUSS ELEVATION.

SEE SHEET 2 FOR BACKSTOP CONFIGURATIONS 36' AND HIGHER TRUSS ELEVATION.



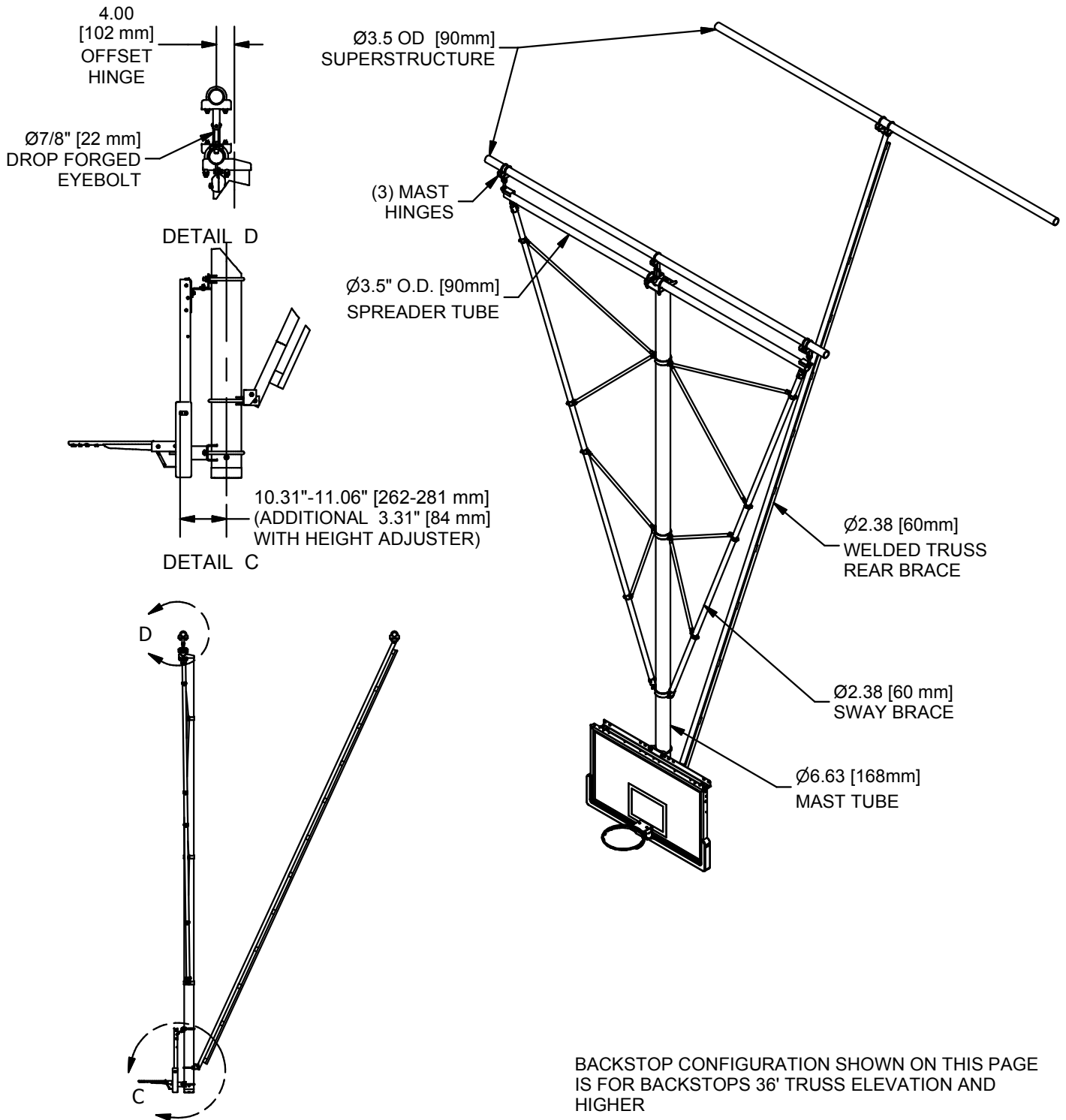
WWW.ADPLEMCO.COM  
SALES@ADPLEMCO.COM

13702 SOUTH 200 WEST B9  
DRAPER, UT 84020

PHONE (801) 280-4000  
FAX (801) 280-4040

CLAMPED REAR CEILING BRACED STATIONARY

DRAWN	DATE	REV
	12/6/2017	-
SHT. NO.	PART NO.	
1 OF 2	1500BT	



BACKSTOP CONFIGURATION SHOWN ON THIS PAGE IS FOR BACKSTOPS 36' TRUSS ELEVATION AND HIGHER

SEE SHEET 1 FOR BACKSTOP CONFIGURATIONS UP TO 36' TRUSS ELEVATION.



WWW.ADPLEMCO.COM  
SALES@ADPLEMCO.COM

13702 SOUTH 200 WEST B9  
DRAPER, UT 84020

PHONE (801) 280-4000  
FAX (801) 280-4040

CLAMPED REAR CEILING BRACED STATIONARY

DRAWN	DATE	REV
	12/6/2017	-
SHT. NO.	PART NO.	
2 OF 2	1500BT	