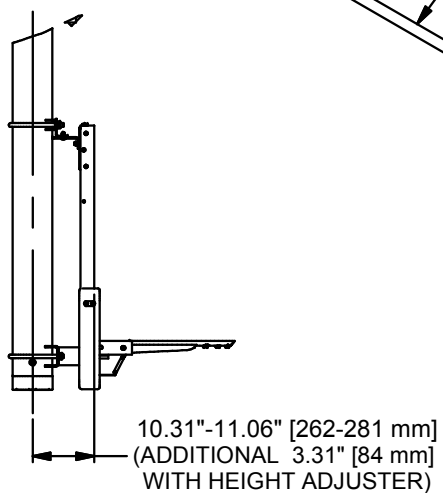
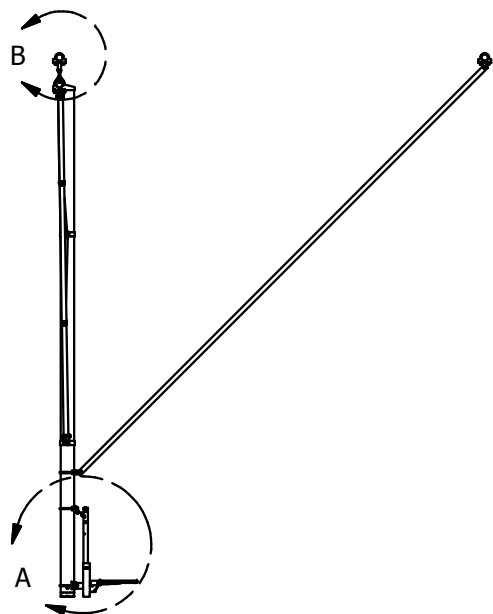
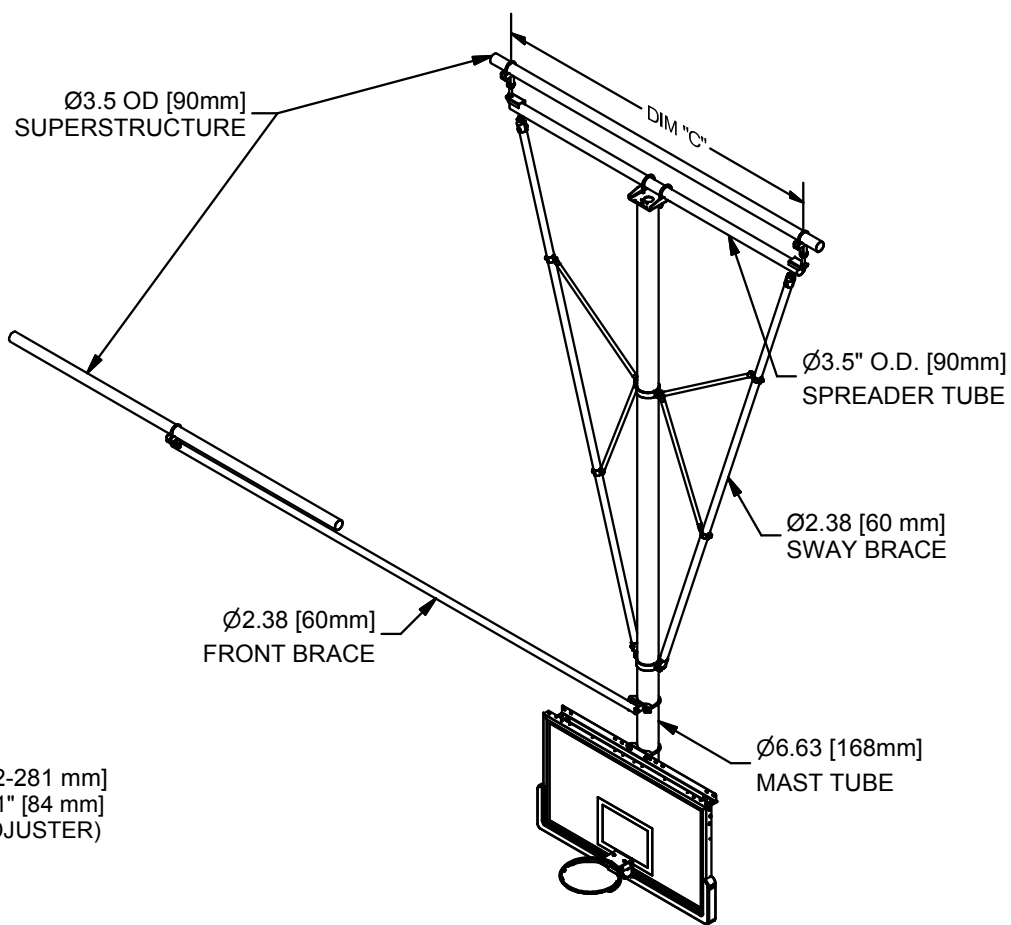


DETAIL B



DETAIL A



BACKSTOP CONFIGURATION SHOWN ON THIS PAGE IS FOR BACKSTOPS UP TO 36' TRUSS ELEVATION.

SEE SHEET 2 FOR BACKSTOP CONFIGURATIONS 36' AND HIGHER TRUSS ELEVATION.



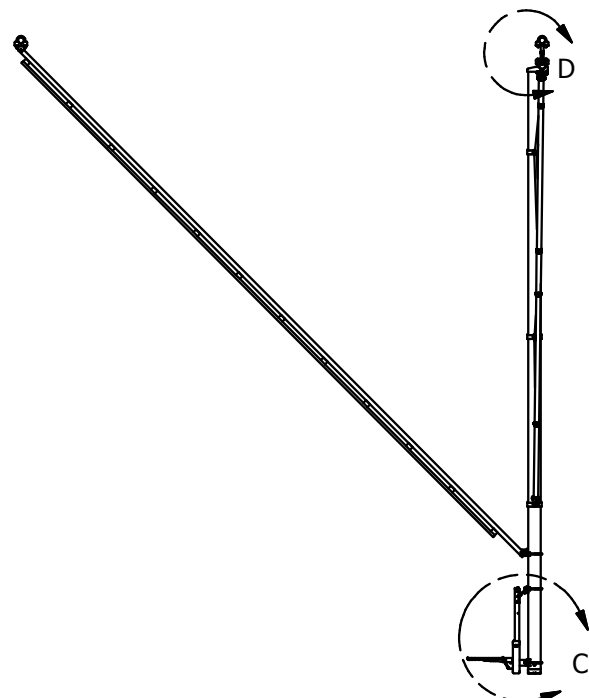
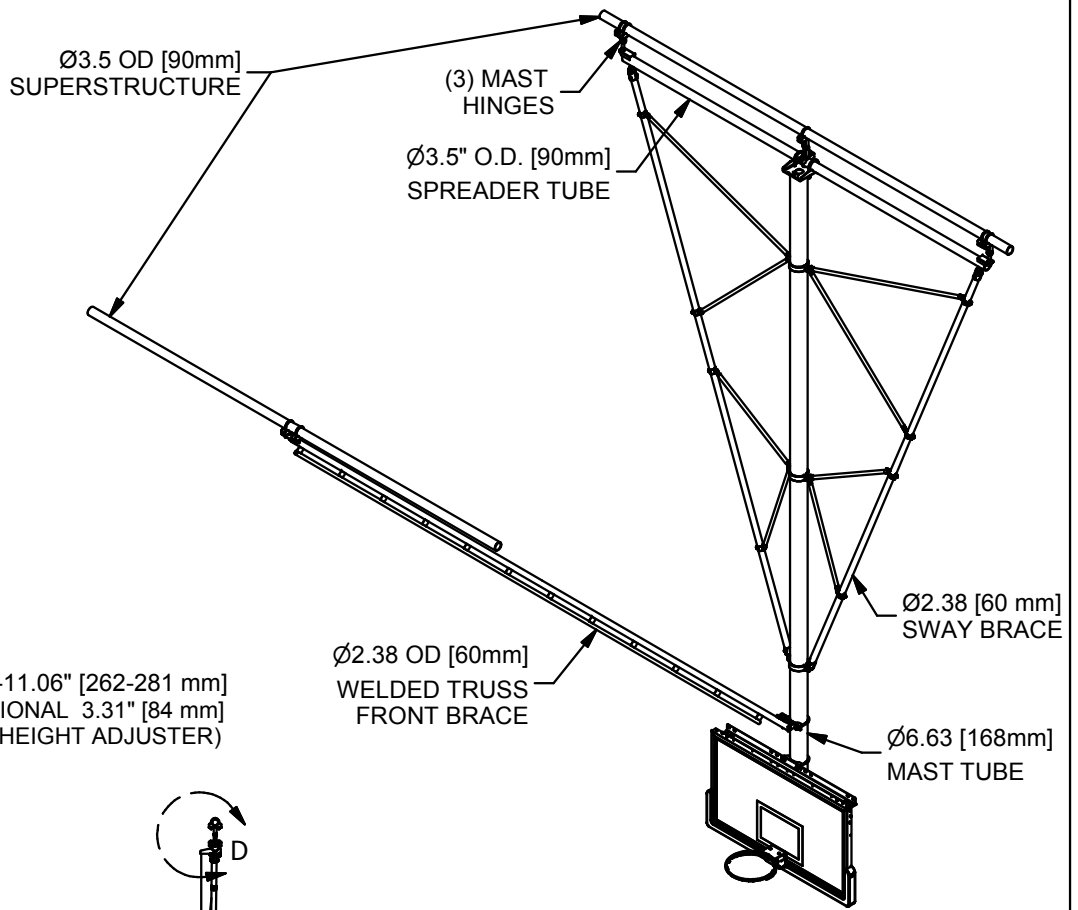
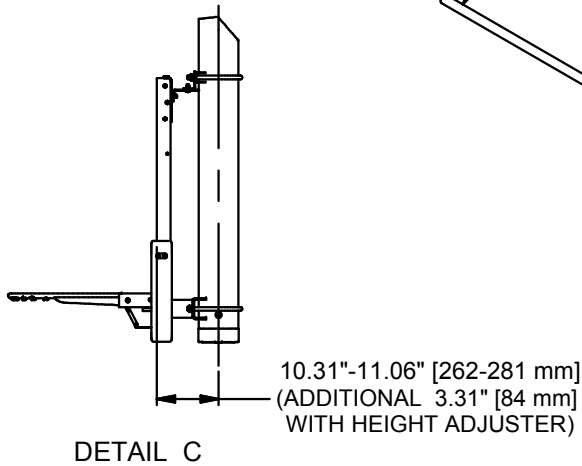
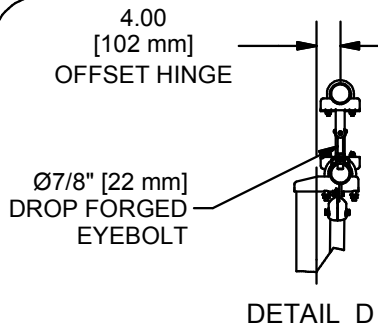
WWW.ADPLEMCO.COM  
SALES@ADPLEMCO.COM

13702 SOUTH 200 WEST B9  
DRAPER, UT 84020

PHONE (801) 280-4000  
FAX (801) 280-4040

CLAMPED FRONT CEILING BRACED STATIONARY

|          |           |     |
|----------|-----------|-----|
| DRAWN    | DATE      | REV |
|          | 12/6/2017 | -   |
| SHT. NO. | PART NO.  |     |
| 1 OF 2   | 1525BT    |     |



BACKSTOP CONFIGURATION SHOWN ON THIS PAGE  
IS FOR BACKSTOPS 36' TRUSS ELEVATION AND  
HIGHER

SEE SHEET 1 FOR BACKSTOP CONFIGURATIONS  
UP TO 36' TRUSS ELEVATION.



WWW.ADPLEMCO.COM  
SALES@ADPLEMCO.COM

13702 SOUTH 200 WEST B9  
DRAPER, UT 84020

PHONE (801) 280-4000  
FAX (801) 280-4040

CLAMPED FRONT BRACED STATIONARY

|          |           |     |
|----------|-----------|-----|
| DRAWN    | DATE      | REV |
|          | 12/6/2017 | -   |
| SHT. NO. | PART NO.  |     |
| 2 OF 2   | 1525BT    |     |