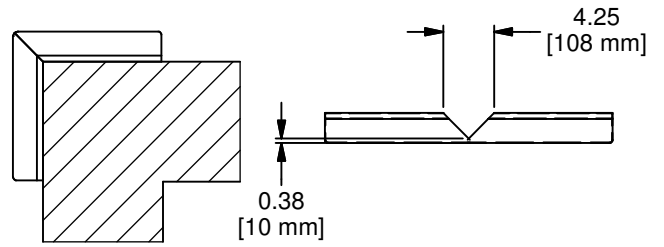
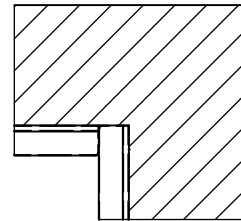


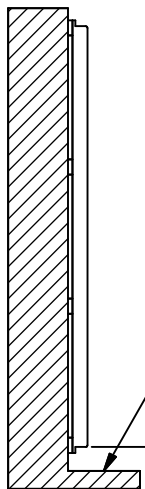
FURRING STRIPS
OPTIONAL



OUTSIDE CORNER DETAIL



INSIDE CORNER
LAP DETAIL

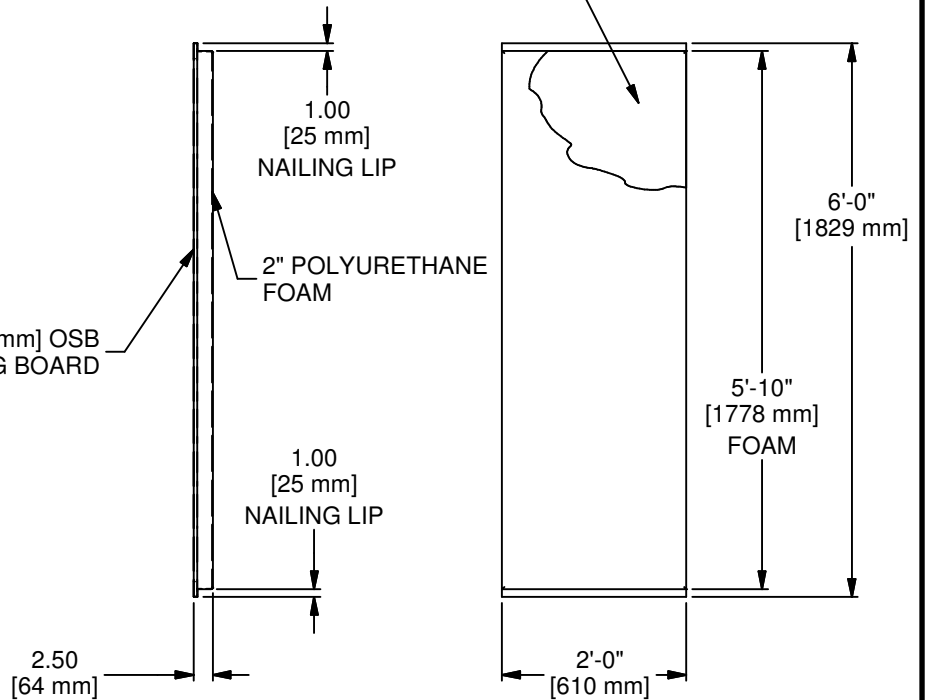


NOTE:
ALL CUSTOM CUTTING AND
FITTING OF PANELS IS TO
BE DONE IN THE FIELD TO
INSURE A PRECISE FIT.

FINISHED FLOOR
4.00
[102 mm]
MAXIMUM

7/16" [11.11 mm] OSB
BACKING BOARD

14 OZ. MIN. POLYESTER LAMINATED
VINYL. ATTACHED TO BACKING WITH
STAPLES EVERY 2.00" [50.8 mm]



WARNING

DO NOT INSTALL PADS MORE THAN 4" ABOVE
THE FINISHED FLOOR. INSTALLING PADS
ABOVE 4" CAN RESULT IN BODY CONTACT
WITH THE WALL AND PERSONAL INJURY.



WWW.ADPLEMCO.COM
SALES@ADPLEMCO.COM

13702 SOUTH 200 WEST B9
DRAPER, UT 84020

PHONE (801) 280-4000
FAX (801) 280-4040

WALL PAD, 2" POLYURETHANE

DRAWN	DATE	REV
	4/17/2013	-
SHT. NO.	PART NO.	
1 OF 1	200	