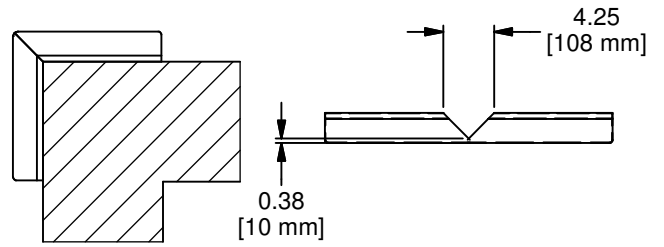
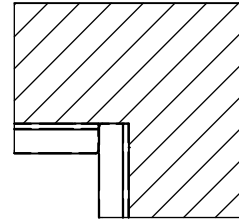


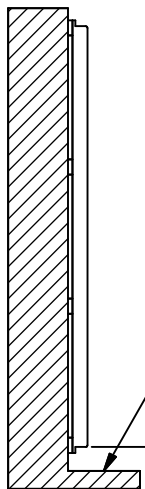
FURRING STRIPS  
OPTIONAL



OUTSIDE CORNER DETAIL



INSIDE CORNER  
LAP DETAIL

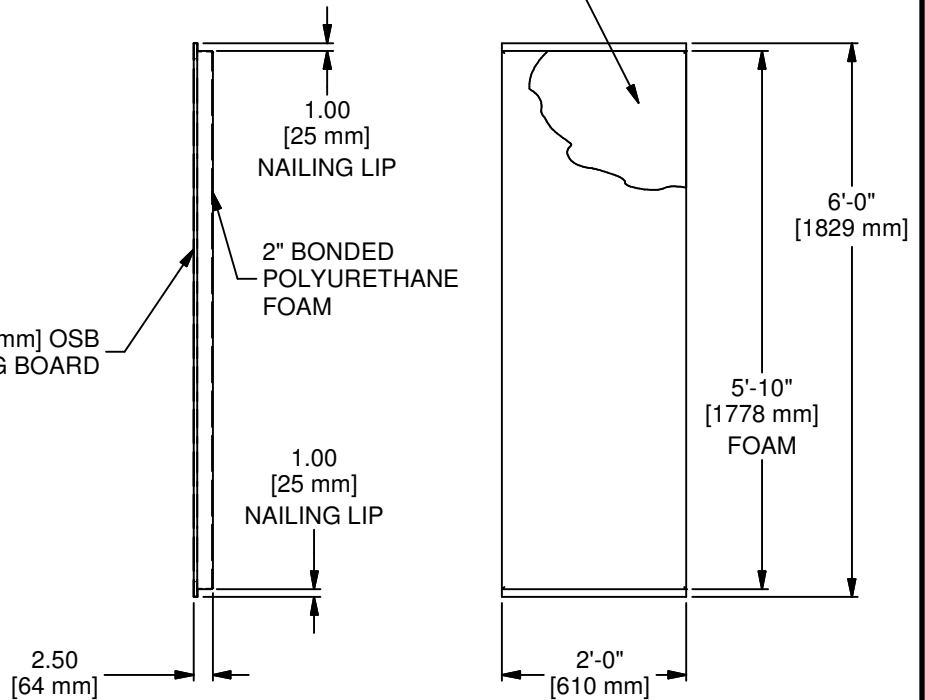


**NOTE:**  
ALL CUSTOM CUTTING AND  
FITTING OF PANELS IS TO  
BE DONE IN THE FIELD TO  
INSURE A PRECISE FIT.

FINISHED FLOOR  
4.00  
[102 mm]  
MAXIMUM

7/16" [11.11 mm] OSB  
BACKING BOARD

14 OZ. MIN. POLYESTER LAMINATED  
VINYL. ATTACHED TO BACKING WITH  
STAPLES EVERY 2.00" [50.8 mm]



**WARNING**

DO NOT INSTALL PADS MORE THAN 4" ABOVE  
THE FINISHED FLOOR. INSTALLING PADS  
ABOVE 4" CAN RESULT IN BODY CONTACT  
WITH THE WALL AND PERSONAL INJURY.



WWW.ADPLEMCO.COM  
SALES@ADPLEMCO.COM

13702 SOUTH 200 WEST B9  
DRAPER, UT 84020

PHONE (801) 280-4000  
FAX (801) 280-4040

IMPACT2440BND WALL PAD, 2" BONDED

DRAWN	DATE	REV
	4/17/2013	-
SHT. NO.	PART NO.	
1 OF 1	220	