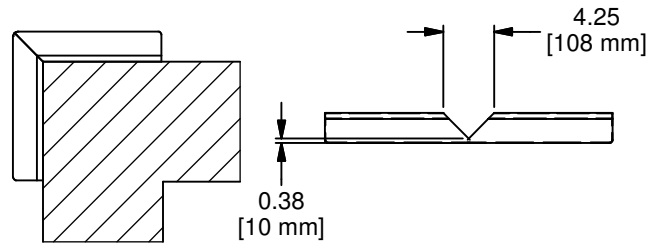


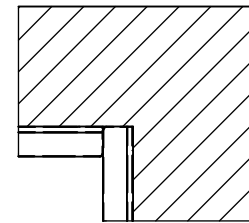
FURRING STRIPS
OPTIONAL



OUTSIDE CORNER DETAIL

0.38
[10 mm]

4.25
[108 mm]

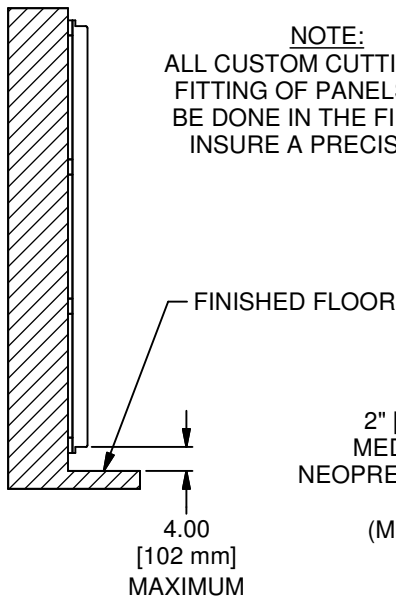


INSIDE CORNER
LAP DETAIL

14 OZ. MIN. POLYESTER LAMINATED
VINYL. ATTACHED TO BACKING WITH
STAPLES EVERY 2.00" [50.8 mm]
MANUFACTURED BY BRUIN PLASTICS OR EQUIV.
(MEETS ASTM 84, CLASS A RATED)

NOTE:

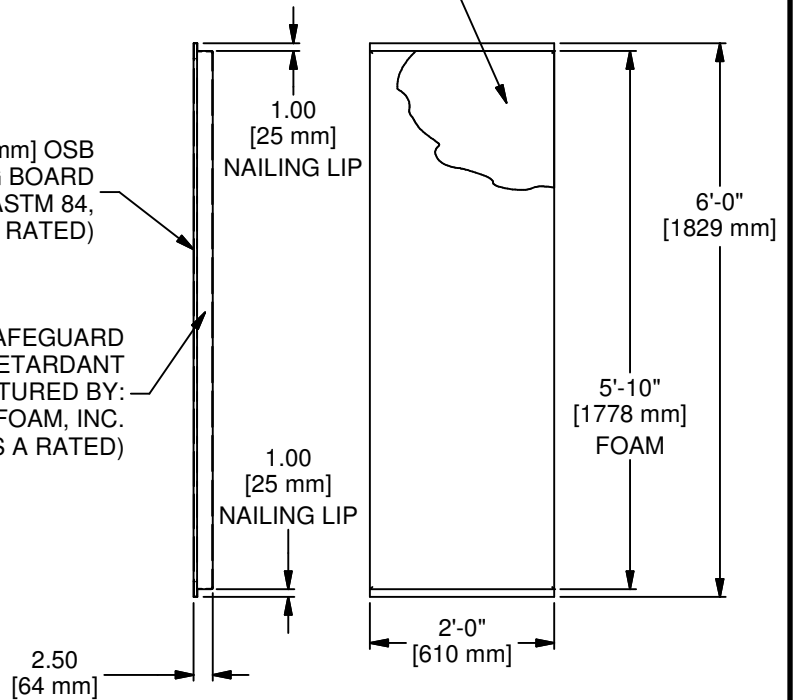
ALL CUSTOM CUTTING AND
FITTING OF PANELS IS TO
BE DONE IN THE FIELD TO
INSURE A PRECISE FIT.



4.00
[102 mm]
MAXIMUM

7/16" [11.11 mm] OSB
BACKING BOARD
(MEETS ASTM 84,
CLASS A RATED)

2" [50.8 mm] THICK CR SAFEGUARD
MEDIUM DENSITY FIRE RETARDANT
NEOPRENE FOAM. MANUFACTURED BY:
CHESTNUT RIDGE FOAM, INC.
(MEETS ASTM 84, CLASS A RATED)



1.00
[25 mm]
NAILING LIP

6'-0"
[1829 mm]

5'-10"
[1778 mm]
FOAM

1.00
[25 mm]
NAILING LIP

2.50
[64 mm]

2'-0"
[610 mm]

WARNING

DO NOT INSTALL PADS MORE THAN 4" ABOVE
THE FINISHED FLOOR. INSTALLING PADS
ABOVE 4" CAN RESULT IN BODY CONTACT
WITH THE WALL AND PERSONAL INJURY.



WWW.ADPLEMCO.COM
SALES@ADPLEMCO.COM

13702 SOUTH 200 WEST B9
DRAPER, UT 84020

PHONE (801) 280-4000
FAX (801) 280-4040

FIRE RETARDANT WALL PAD

DRAWN	DATE	REV
	4/17/2013	-
SHT. NO.	PART NO.	
1 OF 1	230	