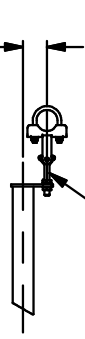


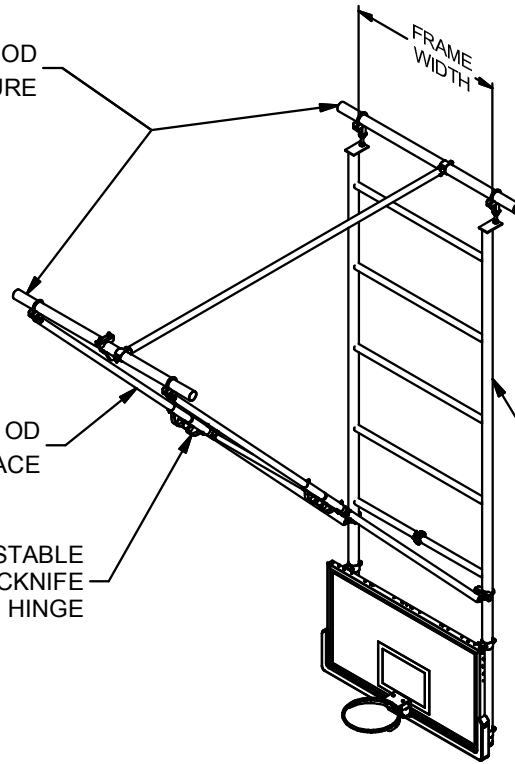
4.00
[102 mm]
OFFSET



DETAIL B

Ø7/8" [22 mm]
DROP FORGED
EYEBOLT

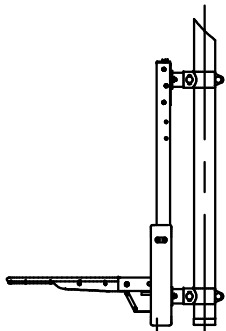
Ø 3.5 [90 mm] OD
SUPERSTRUCTURE



Ø 2.38 [60 mm] OD
FRONT BRACE

ADJUSTABLE
JACKKNIFE
BRACE HINGE

Ø 3.50 [90 mm] OD
WELDED FRAME

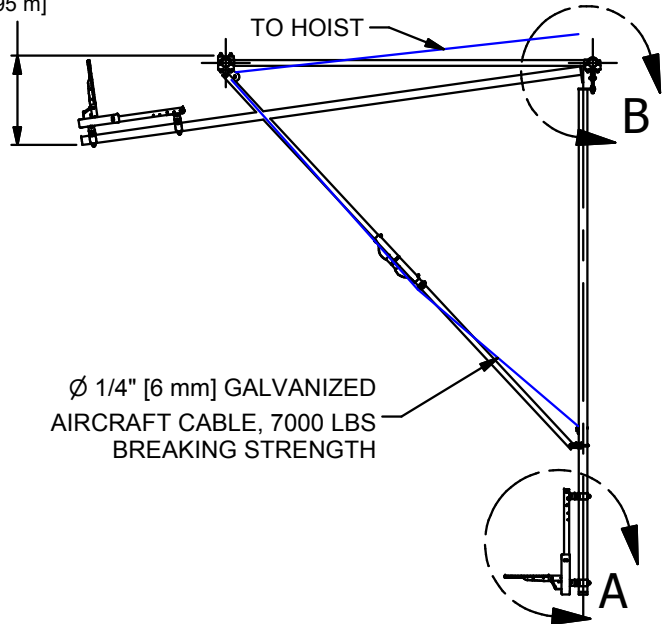


DETAIL A

7.15"-7.90" [182-201 mm]
(ADDITIONAL 3.90 [99 mm]
WITH HEIGHT ADJUSTER)

NOTE: FRAME WIDTH IS 63" [1600 mm] WITH A
RECTANGULAR BACKBOARD AND 35" [889 mm]
WITH A FAN SHAPED BACKBOARD

3'-1" ±
[0.95 m]



TO HOIST

Ø 1/4" [6 mm] GALVANIZED
AIRCRAFT CABLE, 7000 LBS
BREAKING STRENGTH



WWW.ADPLEMCO.COM
SALES@ADPLEMCO.COM

13702 SOUTH 200 WEST B9
DRAPER, UT 84020

PHONE (801) 280-4000
FAX (801) 280-4040

FRONT BRACED FRONT FOLD BACKSTOP

DRAWN	DATE	REV
	12/6/2017	-
SHT. NO.	PART NO.	
1 OF 1	2325BT	