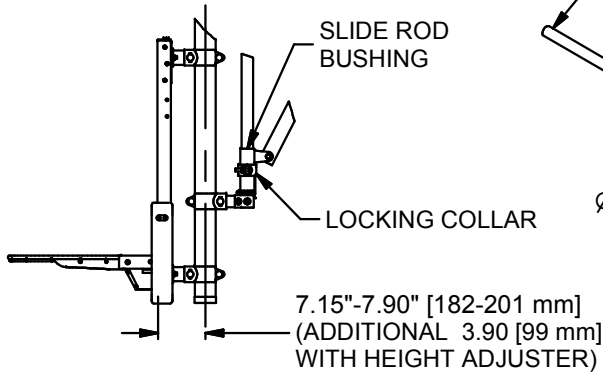
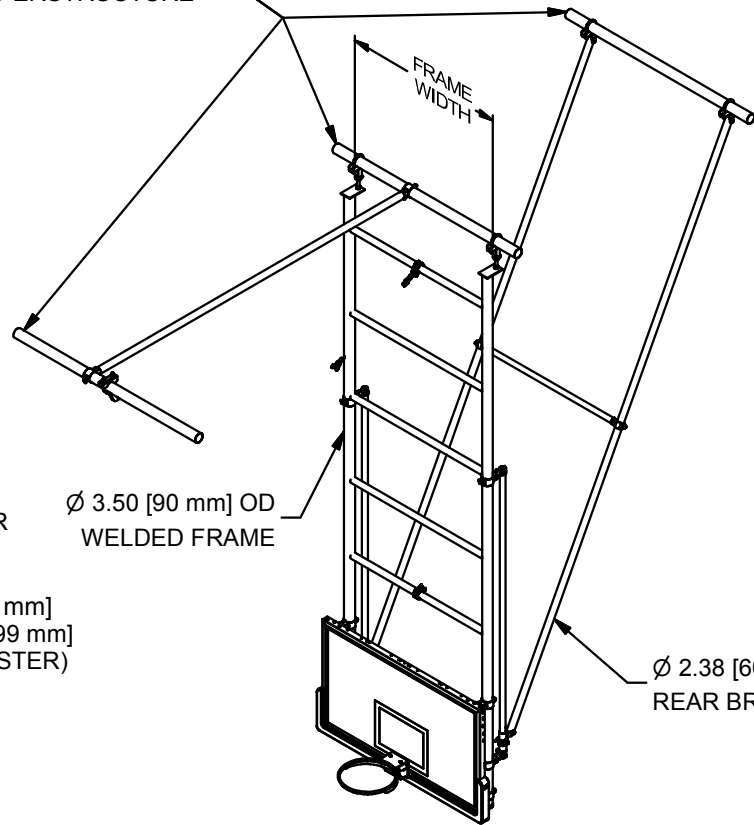


4.00  
[102 mm]  
OFFSET

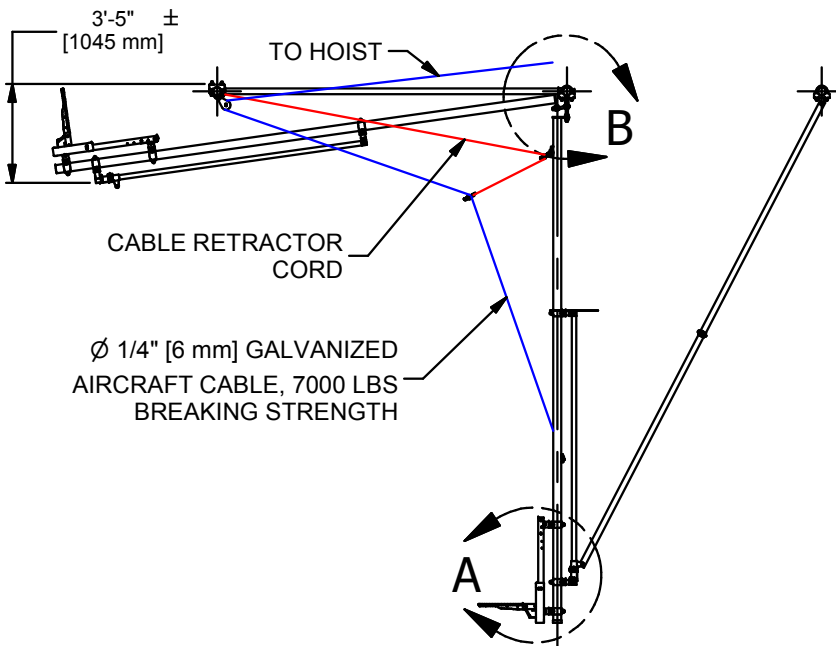
DETAIL B

Ø7/8" [22 mm]  
DROP FORGED  
EYEBOLT

Ø 3.5 [90 mm] OD  
SUPERSTRUCTURE



DETAIL A



NOTE: FRAME WIDTH IS 63" [1600 mm] WITH A RECTANGULAR BACKBOARD AND 35" [889 mm] WITH A FAN SHAPED BACKBOARD



WWW.ADPLEMCO.COM  
SALES@ADPLEMCO.COM

13702 SOUTH 200 WEST B9  
DRAPER, UT 84020

PHONE (801) 280-4000  
FAX (801) 280-4040

REAR BRACED FRONT FOLD BACKSTOP

DRAWN	DATE	REV
	12/6/2017	-
SHT. NO.	PART NO.	
1 OF 1	2335BT	