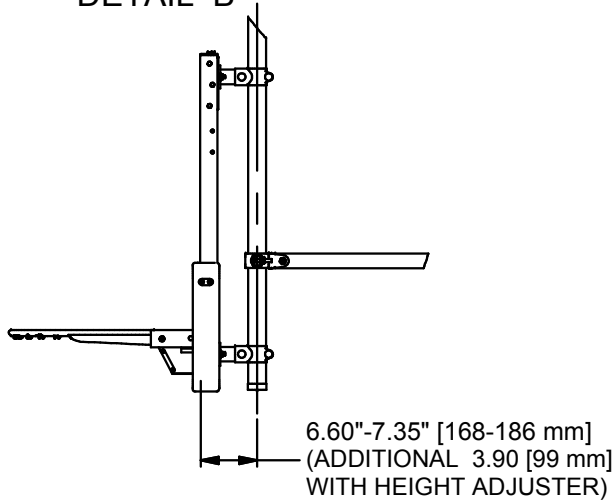
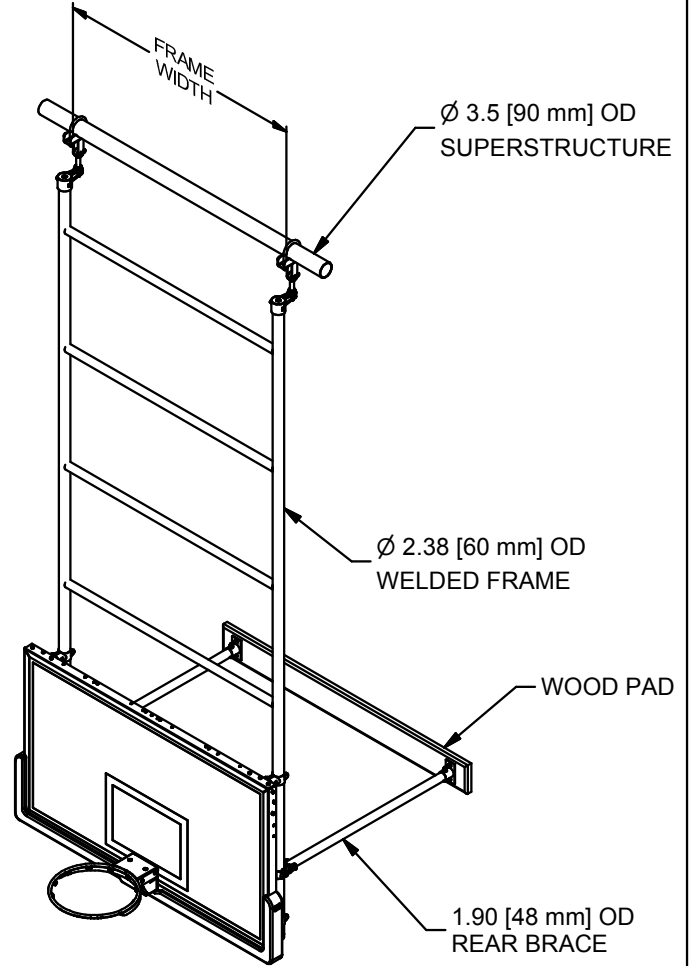
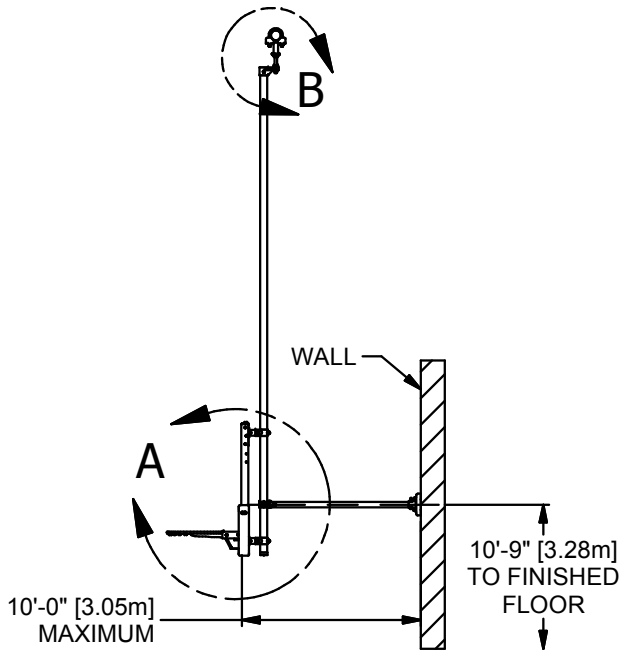


DETAIL B



DETAIL A



NOTE: FRAME WIDTH IS 63" [1600 mm] WITH A RECTANGULAR BACKBOARD AND 35" [889 mm] WITH A FAN SHAPED BACKBOARD



WWW.ADPLEMCO.COM
SALES@ADPLEMCO.COM

13702 SOUTH 200 WEST B9
DRAPER, UT 84020

PHONE (801) 280-4000
FAX (801) 280-4040

WALL BRACED STATIONARY BACKSTOP

DRAWN	DATE	REV
	12/6/2017	-
SHT. NO.	PART NO.	
1 OF 1	2400	