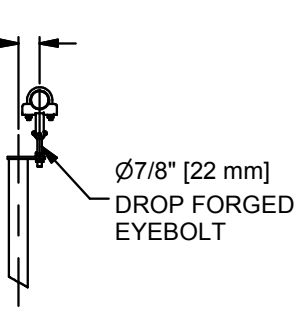
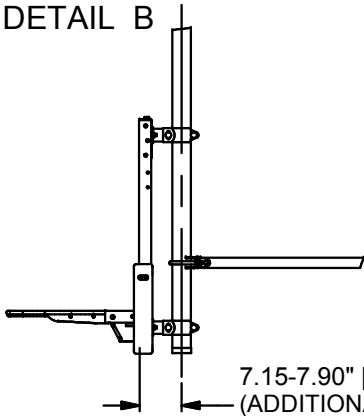


4.00
[102 mm]
OFFSET



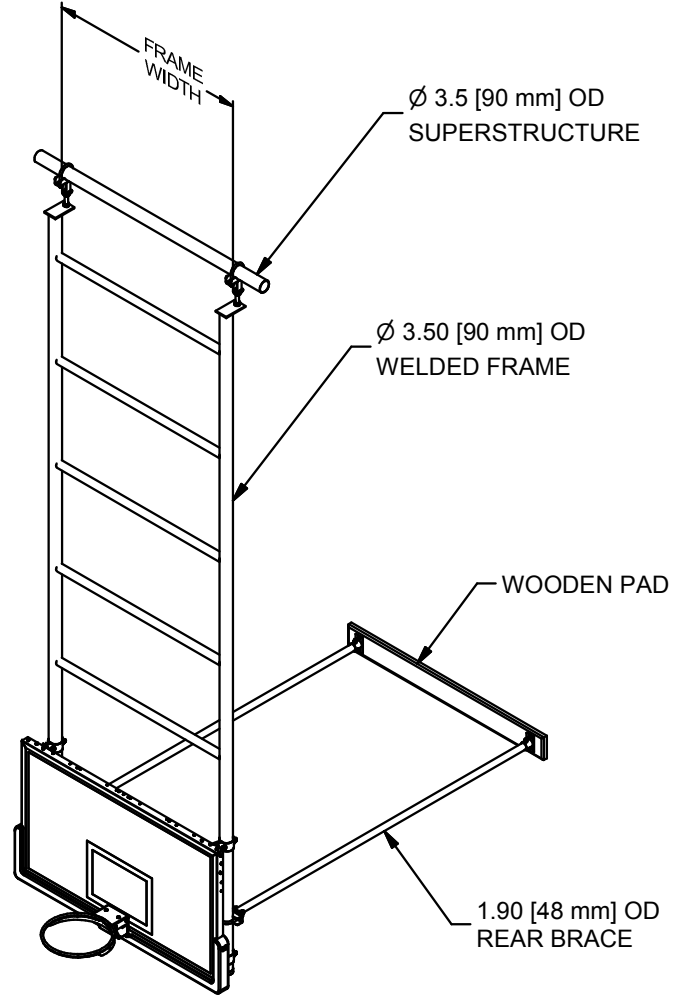
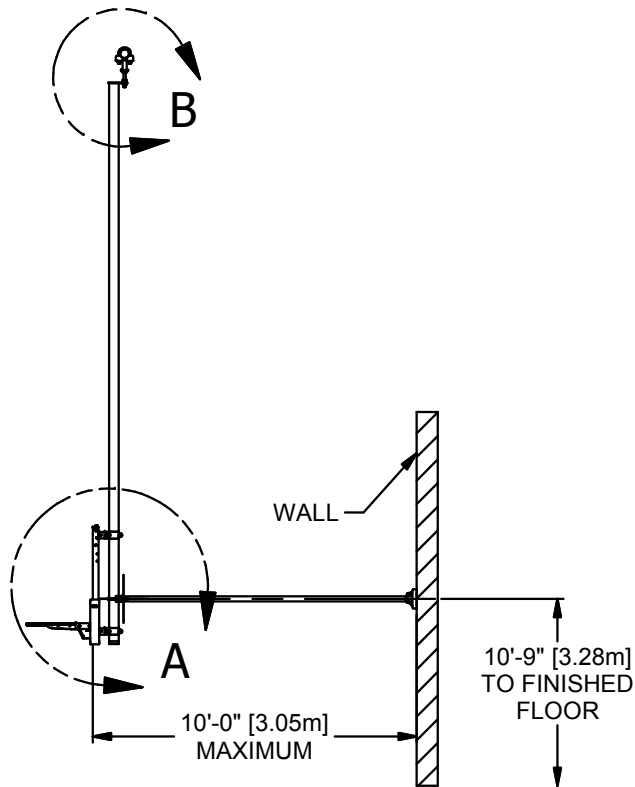
Ø7/8" [22 mm]
DROP FORGED
EYEBOLT

DETAIL B



7.15-7.90" [182-201 mm]
(ADDITIONAL 3.90 [99 mm]
WITH HEIGHT ADJUSTER)

DETAIL A



NOTE: FRAME WIDTH IS 63" [1600 mm] WITH A
RECTANGULAR BACKBOARD AND 35" [889 mm]
WITH A FAN SHAPED BACKBOARD



WWW.ADPLEMCO.COM
SALES@ADPLEMCO.COM

13702 SOUTH 200 WEST B9
DRAPER, UT 84020

PHONE (801) 280-4000
FAX (801) 280-4040

WALL BRACED STATIONARY BACKSTOP

DRAWN	DATE	REV
	12/6/2017	-
SHT. NO.	PART NO.	
1 OF 1	2400BT	