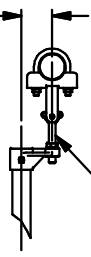


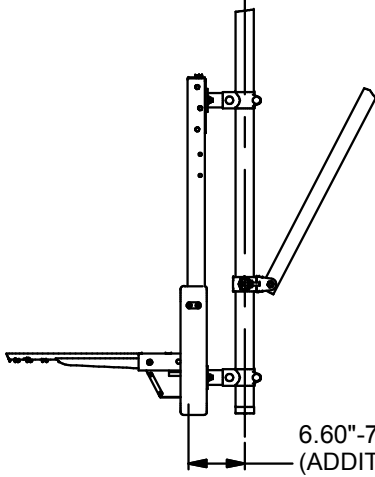
4.00
[102 mm]
OFFSET



Ø7/8" [22 mm]
DROP FORGED
EYEBOLT

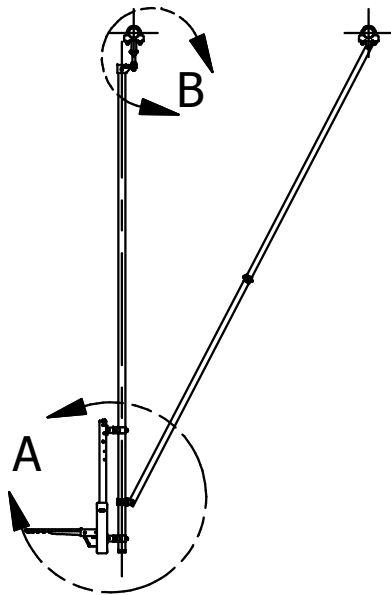
Ø 3.5 [90 mm] OD
SUPERSTRUCTURE

DETAIL B

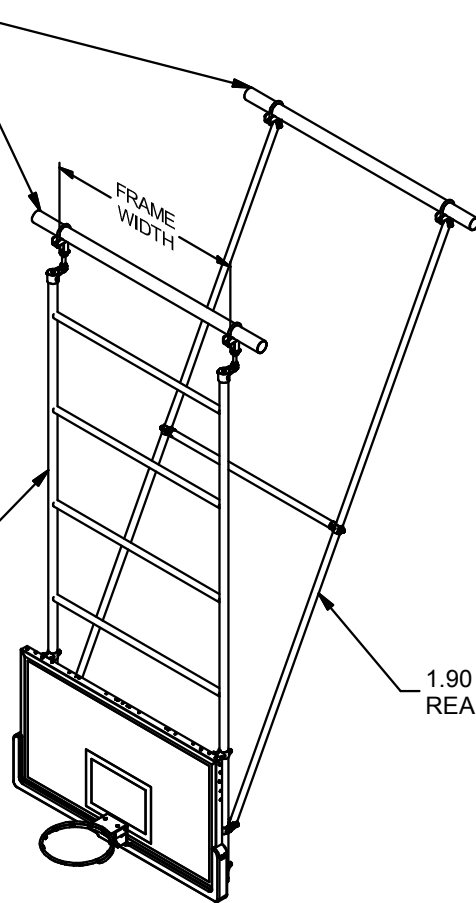


6.60"-7.35" [168-186 mm]
(ADDITIONAL 3.90 [99 mm]
WITH HEIGHT ADJUSTER)

DETAIL A



Ø 2.38 [60 mm] OD
WELDED FRAME



1.90 [48 mm] OD
REAR BRACE

NOTE: FRAME WIDTH IS 63" [1600 mm] WITH A
RECTANGULAR BACKBOARD AND 35" [889 mm]
WITH A FAN SHAPED BACKBOARD



WWW.ADPLEMCO.COM
SALES@ADPLEMCO.COM

13702 SOUTH 200 WEST B9
DRAPER, UT 84020

PHONE (801) 280-4000
FAX (801) 280-4040

REAR BRACED STATIONARY BACKSTOP

DRAWN	DATE	REV
	12/6/2017	-
SHT. NO.	PART NO.	
1 OF 1	2500	