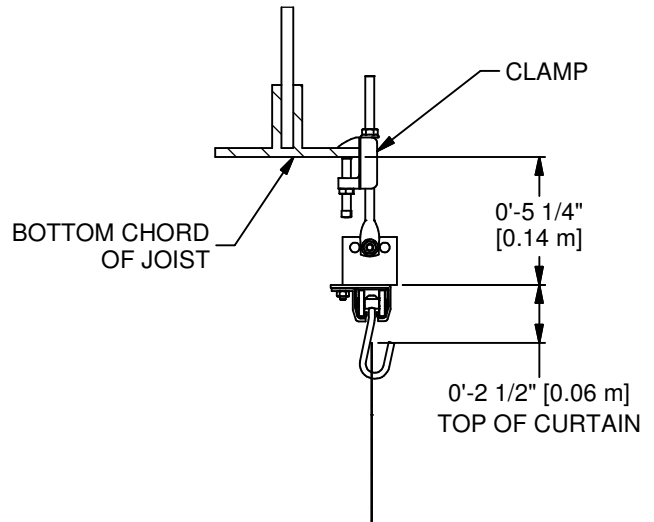
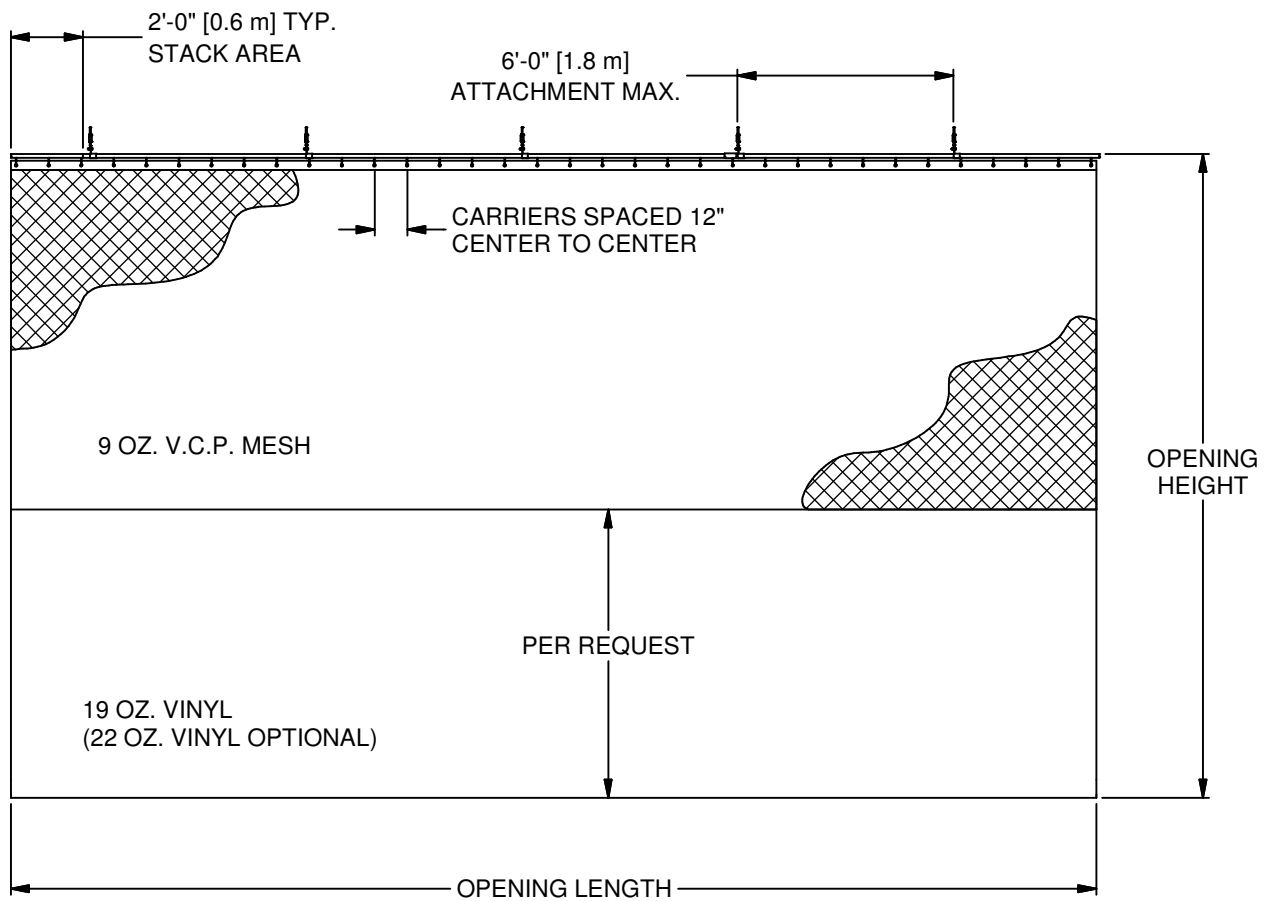


CURVE AND STACK DETAIL (OPTIONAL)



JOIST ATTACHMENT DETAIL



NOTE: 22 OZ. VINYL ONLY AVAILABLE IN RED, ROYAL BLUE, OR GRAY



WWW.ADPLEMCO.COM
SALES@ADPLEMCO.COM

13702 SOUTH 200 WEST B9
DRAPER, UT 84020

PHONE (801) 280-4000
FAX (801) 280-4040

WALK DRAW CURTAIN

DRAWN	DATE	REV
	4/22/2003	-
SHT. NO.	PART NO.	
1 OF 1	6100	

Walk-Draw Gym Curtain 6100

MATERIAL

The lower section, height to be specified at time of order, shall be solid 18 or 22 oz. polyester reinforced, fire retardant and mildew resistant vinyl fabric. All seams shall be electronically welded with a full contact weld that fuses the material together for superior strength. A pocket shall be formed along the bottom edge to accommodate a 4/0 coil proof chain for ballast. The upper section shall be a 9 oz. vinyl coated polyester mesh. The top hem shall be a double thickness of mesh reinforced with a vinyl strip. Grommets shall be attached along the vinyl strip and located 12" on center for attachment to carrier assemblies. Curtain shall stop 2" above the finish floor and can be specified, either all mesh, all vinyl or any combination in between.

STRUCTURE

The track shall be an enclosed galvanized steel channel 1-7/16" wide and 1-1/4" high. Track suspension spacing shall not exceed 6'0" center to center in the run of the curtain and 3'0" in the storage area. Curtain may either be stacked against the wall or with the addition of an optional curved section of track, the curtain may be stored along the wall for even more clearance. Carrier assemblies shall have two 1" diameter polyurethane wheels spaced on 12" centers. Carrier assemblies shall attach to top of curtain by means of a 1/8" "S" hook. The master carriers shall have four wheels and be located at the ends of the curtain for smooth operation.

ACCESSORIES

TIE BACK STRAP

Optional curtain tie back strap is model 6100TBS

Tie back strap shall be 18 oz. polyester reinforced vinyl fabric. 2" wide x 6' long with 6" of Velcro® on opposite sides of each end.