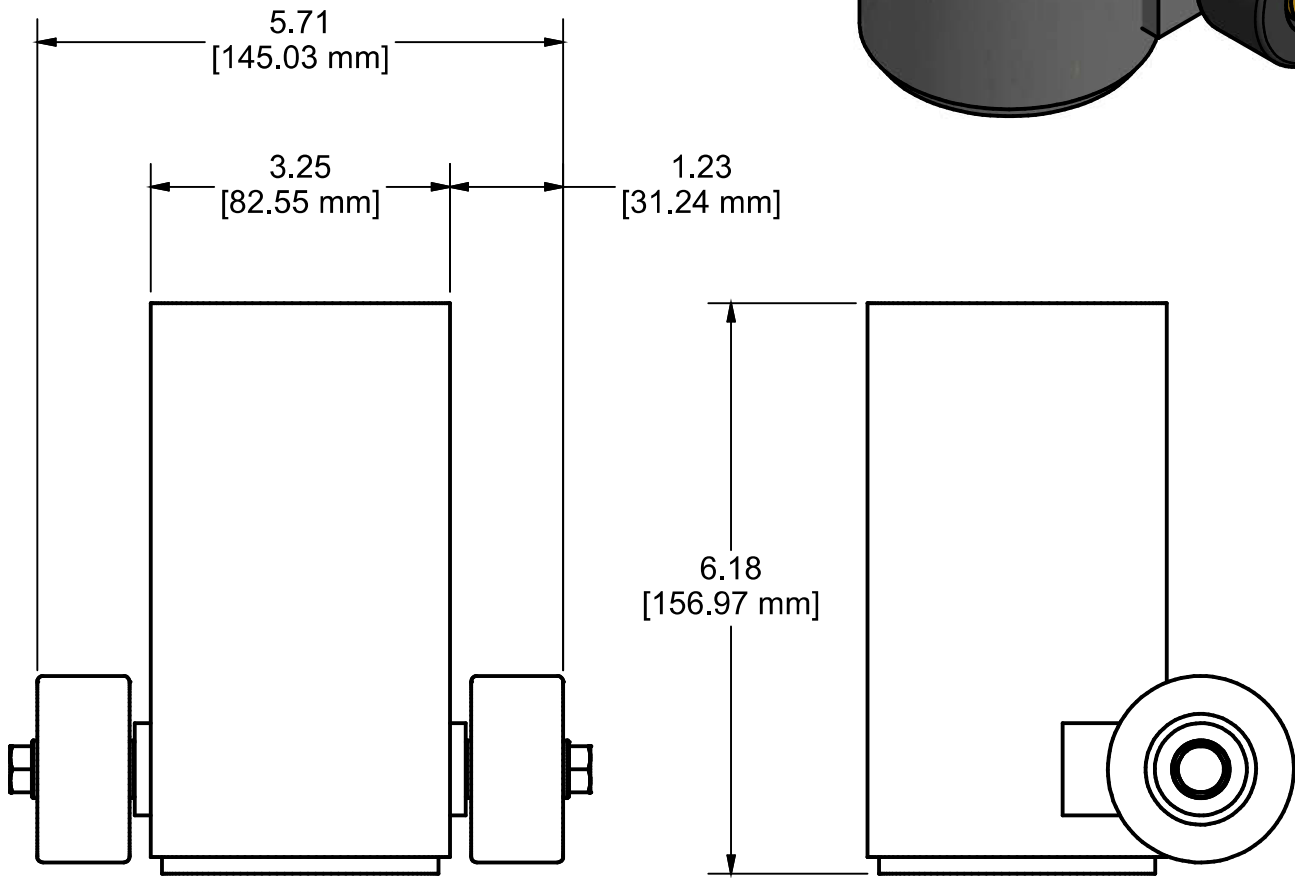
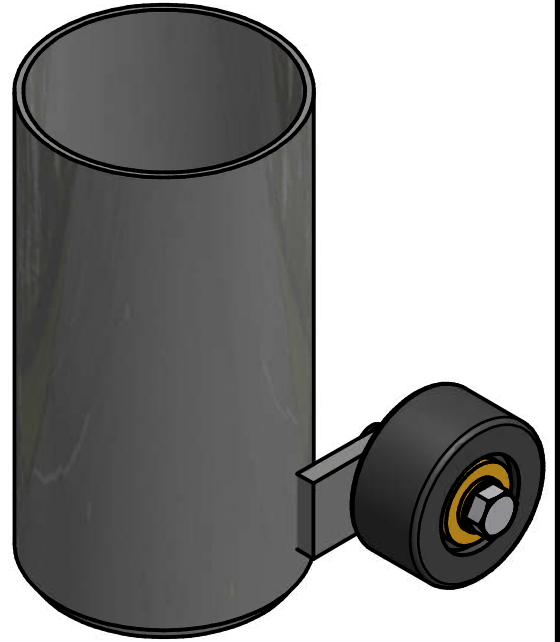


ALLOWS FOR EASY PORTABILITY OF VOLLEYBALL UPRIGHTS. COMPACT STEEL CUP, TRANSPORTS ONE UPRIGHT AT A TIME TO AND FROM STORAGE



REV	BY	DATE



13702 SOUTH 200 WEST B9 DRAPER, UT 84020  
 WWW.ADPLEMCO.COM

PHONE (801) 280-4000  
 FAX (801) 280-4040  
 SALES@ADPLEMCO.COM

THIS DOCUMENT CONTAINS TRADE SECRET AND OTHER MATERIALS WHICH ARE PROTECTED BY CONFIDENTIALITY NOTICE AND AGREEMENT AND BY COPYRIGHT.

3" VOLLEYBALL UPRIGHT TRANSPORTER

FILE LOC: Q:\Inventor Files\Specifications\11\_volleyball\6290

SIZE	SCALE	SHT. NO.	PART NO.	REV
A	NONE	1 OF 1	6290	