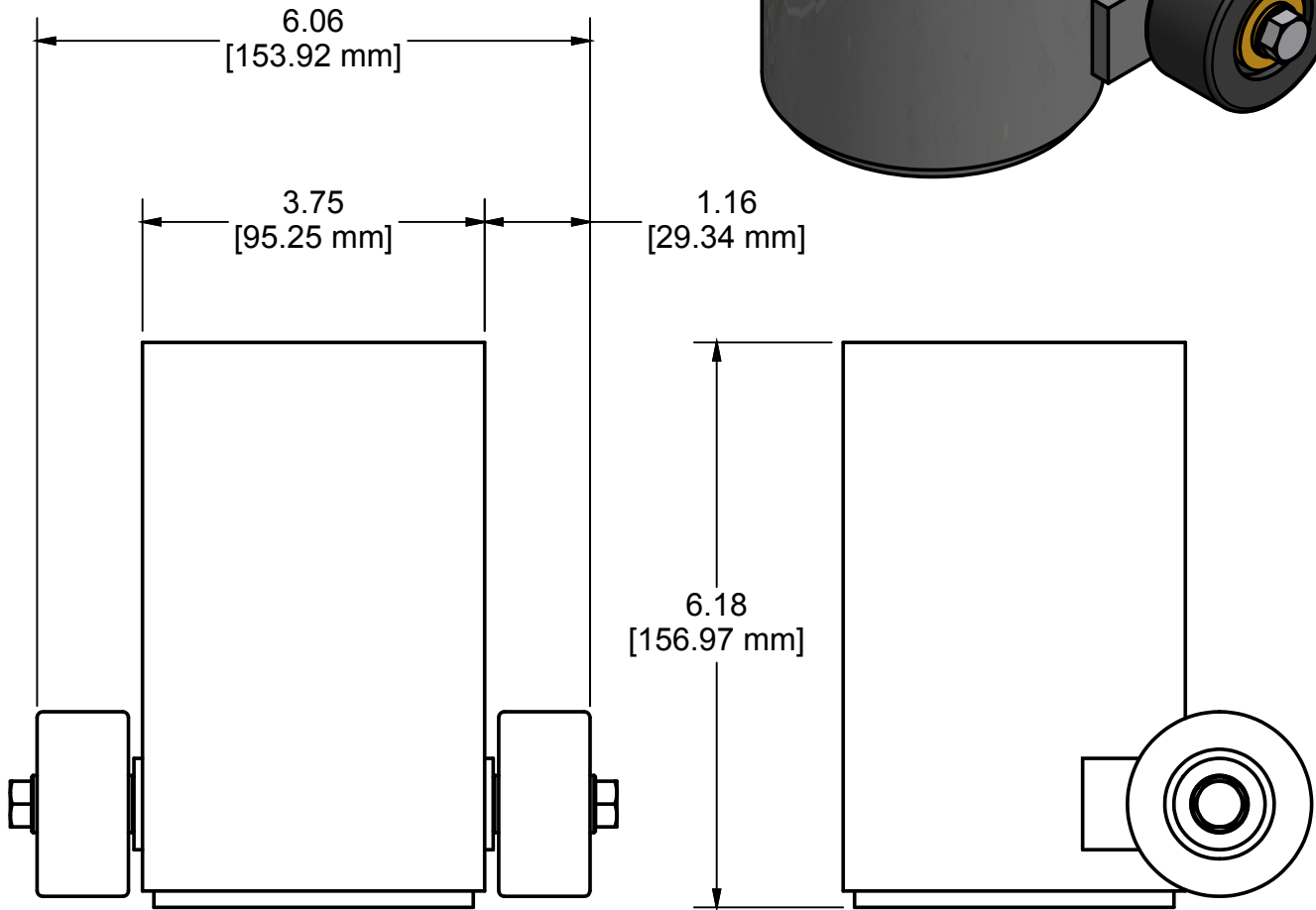
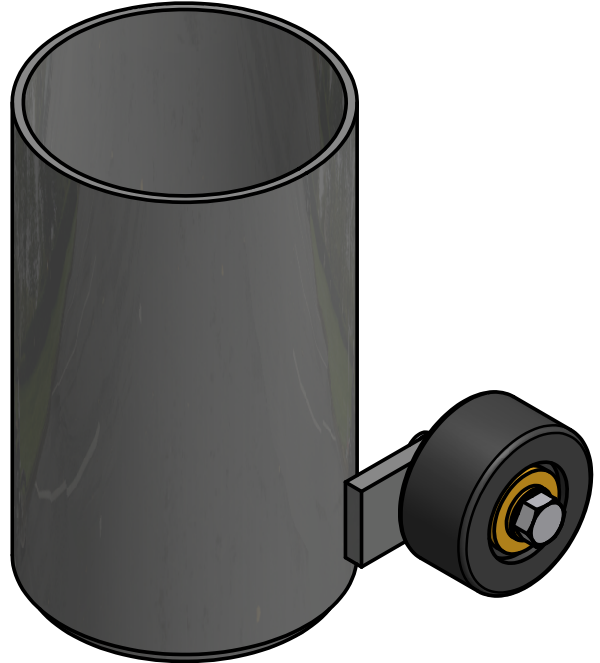


ALLOWS FOR EASY PORTABILITY OF VOLLEYBALL UPRIGHTS. COMPACT STEEL CUP, TRANSPORTS ONE UPRIGHT AT A TIME TO AND FROM STORAGE



REV	BY	DATE



13702 SOUTH 200 WEST B9 DRAPER, UT 84020
 WWW.ADPLEMCO.COM

PHONE (801) 280-4000
 FAX (801) 280-4040
 SALES@ADPLEMCO.COM

THIS DOCUMENT CONTAINS TRADE SECRET AND OTHER MATERIALS WHICH ARE PROTECTED BY CONFIDENTIALITY NOTICE AND AGREEMENT AND BY COPYRIGHT. ANY USE OR COPYING OF THIS DOCUMENT EXCEPT AS AUTHORIZED BY ADP LEMCO, INC IS STRICTLY PROHIBITED.

3 1/2" VOLLEYBALL UPRIGHT TRANSPORTER

SIZE	SCALE	SHT. NO.	PART NO.	REV
A	NONE	1 OF 1	6294	