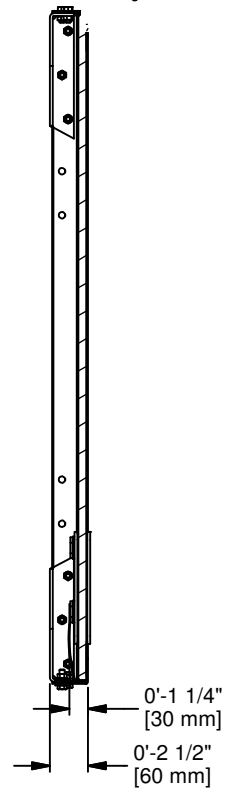
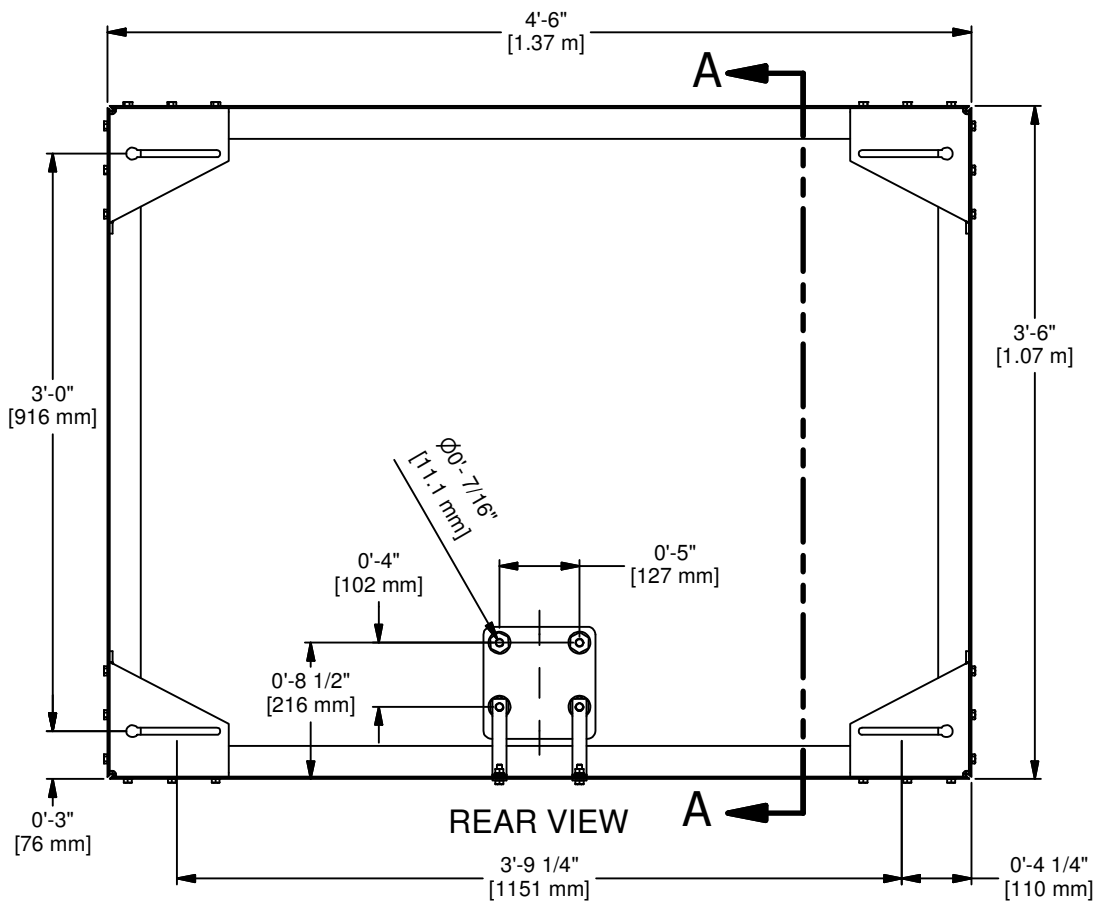


FRONT VIEW



SECTION A-A  
SCALE 1/12

REV	BY	DATE



13702 SOUTH 200 WEST B9 DRAPER, UT 84020  
WWW.ADPLEMCO.COM

PHONE (801) 280-4000  
FAX (801) 280-4040  
SALES@ADPLEMCO.COM

THIS DOCUMENT CONTAINS TRADE SECRET AND OTHER MATERIALS WHICH ARE PROTECTED BY CONFIDENTIALITY NOTICE AND AGREEMENT AND BY COPYRIGHT. ANY USE OR COPYING OF THIS DOCUMENT EXCEPT AS AUTHORIZED BY ADP LEMCO INC IS STRICTLY PROHIBITED.

RECTANGLE GLASS BOARD. 42" X 54"

SIZE	SCALE	SHT. NO.	PART NO.	63	REV
A		1 OF 2			

## **MODEL 63**

### **STEEL FRAME 54" X 42" RECTANGULAR GLASS BACKBOARD**

The 63 backboard shall be fabricated with heavy steel frame constructed of formed steel angles and fastened together with heavy gauge steel mounting plates to reinforce corners. Entire frame and components shall be powder coated with a durable neutral gray finish. Acrylic cushioning tape shall be used between steel mounting plate and glass to protect board against possible breakage.

Mounting brackets shall be positioned at 36" vertical and 45" horizontal centers for mounting backboard.

Glass shall be ½" in thickness and is fully tempered with the white target lines permanently fused onto the surface. 12mm glass will not be considered equal to ½" glass, with a nominal thickness range of .485" to .515", and will not be used as a substitute for full ½" glass. Vinyl shock absorbing material shall insulate the glass from the frame. Goal mounting holes shall be on standard 5" horizontal and 4" vertical centers.

#### **ACCESSORIES**

#### **GOALS**

Compatible goals are models 20, 25, and 28. See goal section in specification manual.