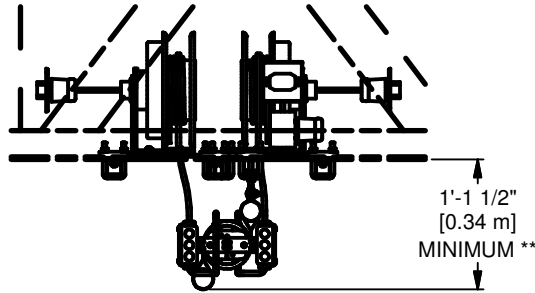
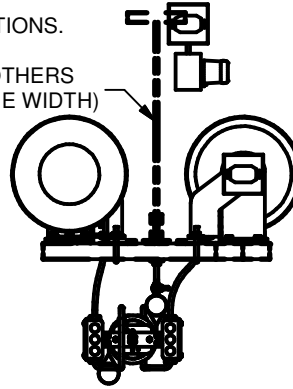


\*\* MINIMUM DIMENSION IS DEPENDENT UPON ACTUAL BUILDING CONDITIONS.

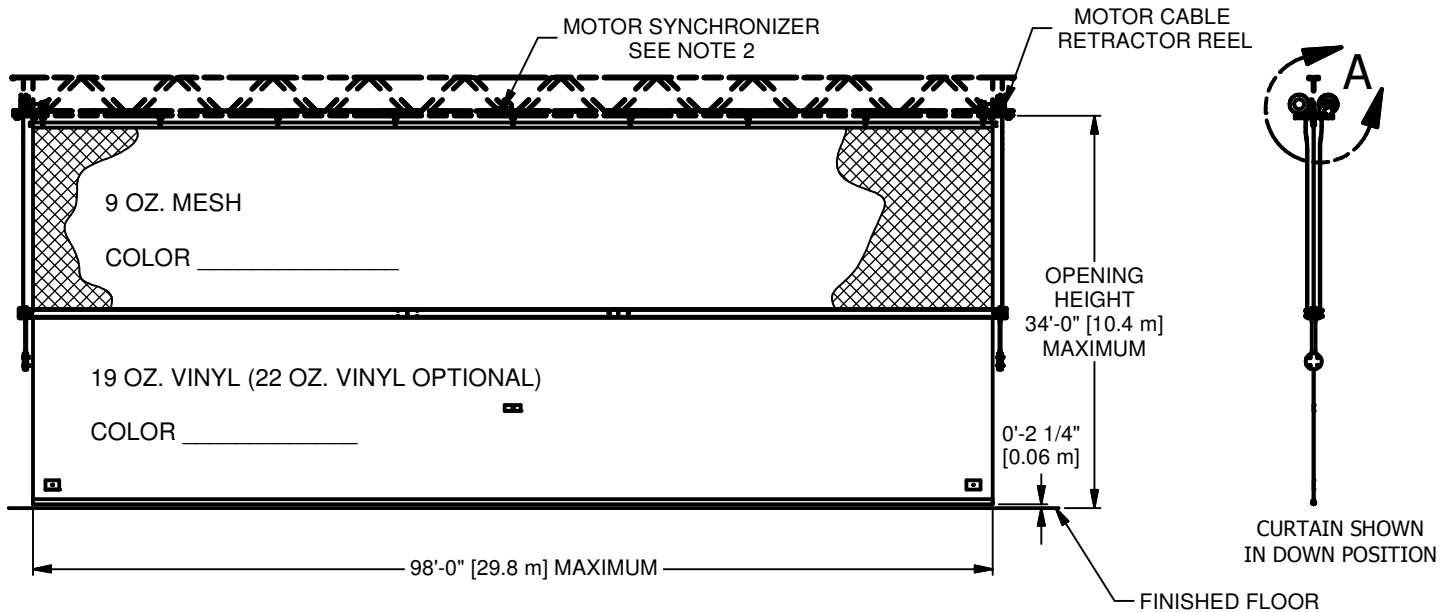


VIEW A  
BEAMS PERPENDICULAR TO CURTAIN  
(SHOWN IN THE UP POSITION)

\*BEAM BY OTHERS  
(ADVISE FANGE WIDTH)



VIEW A  
CURTAIN DIRECT ATTACH TO BEAM  
(SHOWN IN THE UP POSITION)



**FABRIC NOTES:**

- 22 OZ. VINYL ONLY AVAILABLE IN RED, ROYAL BLUE OR GRAY.

**CONSTRUCTION:**

- 4" [101.6 mm] OD ALUMINUM DRIVE TUBE
- 1.9" [48.3 mm] O.D. UPPER BATTEN TUBES
- 1.66" [42.2 mm] O.D. LOWER BATTEN TUBES
- PADDED BOTTOM BATTEN POCKET
- CURTAIN DIMENSIONS MAY BE LIMITED BY MOTOR TORQUE.

**MOTOR:**

- (1) or (2) TUBULAR GEARMOTORS, 700 INLB TORQUE EACH.
- 120VAC 1PH 60HZ 3.4A or 220VAC 1PH 50HZ 1.9A (each mtr).
- WITH BRAKE AND INTEGRAL LIMIT SWITCHES.
- WITH THERMAL OVERLOAD PROTECTION.

**CONTROLS:**

- KEY SWITCH INCLUDED. LOCATE SWITCH SO THAT OPERATOR HAS FULL VIEW OF CURTAIN AT ALL TIMES DURING OPERATION.
- SYNCHRONIZER INCLUDED WHEN (2) MOTOR ARE REQUIRED.



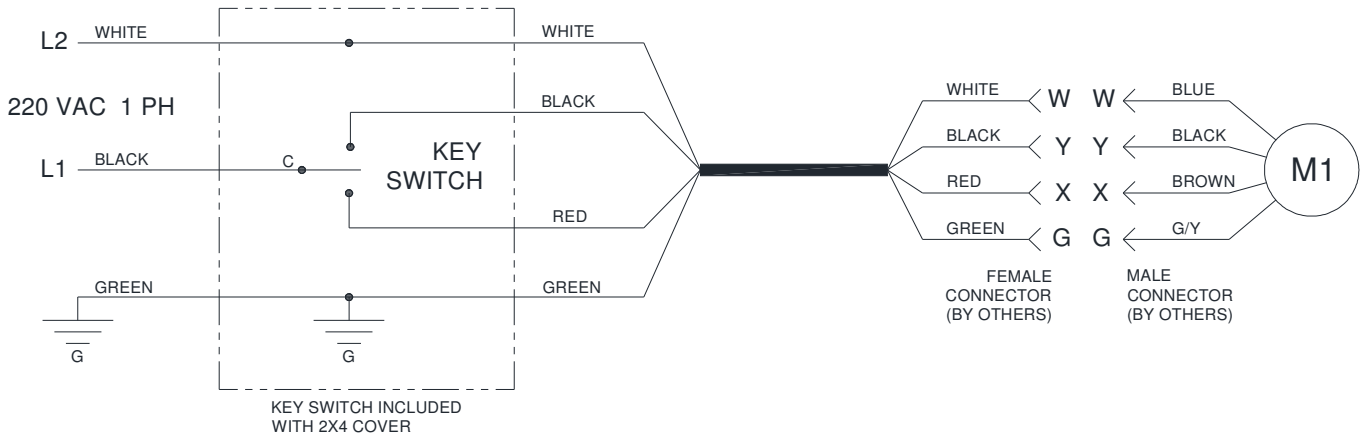
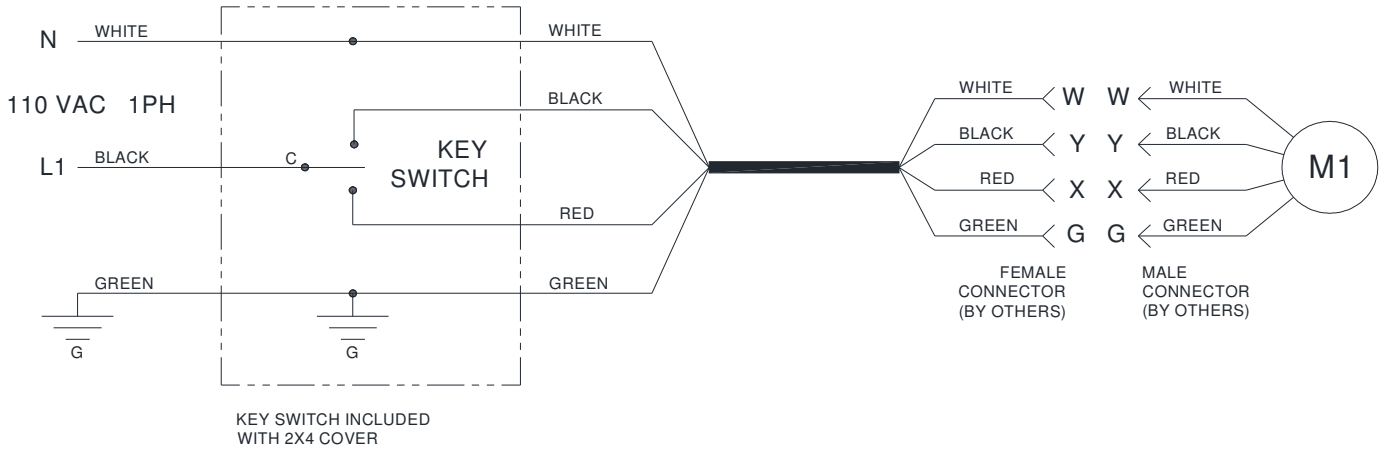
WWW.ADPLEMCO.COM  
SALES@ADPLEMCO.COM

13702 SOUTH 200 WEST B9  
DRAPER, UT 84020

PHONE (801) 280-4000  
FAX (801) 280-4040

CENTER DRIVE CURTAIN

DRAWN	DATE	REV
	6/10/2011	-
SHT. NO.	PART NO.	
1 OF 4	6300	



**WIRING INFORMATION:**

PROVIDED WITH (1) MOTOR W/ 6 FT OF CORD AND (1) KEYSWITCH.

ALL WIRING SUPPLIED BY OTHERS.

ALL OTHER ELECTRICAL AND JUNCTION, BOXES ARE TO BE FURNISHED AND INSTALLED BY A CERTIFIED ELECTRICAL CONTRACTOR, FOLLOWING ALL LOCAL CODES AND MANUFACTURE'S INSTRUCTIONS.

MOUNT JUNCTION BOXES WITHIN 6 FT. OF EACH MOTOR ELECTRICAL WIRING FOR EACH CURTAIN MUST BE ON A DEDICATED ELECTRICAL CIRCUIT.

**ELECTRICAL SPECIFICATIONS:**

- DEDICATED 10A CIRCUIT BREAKER (by others)
- MOTOR: 115VAC +/- 10%, 1 PH, 60 HZ, 3.4A
- MOTOR: 220VAC +/- 10%, 1 PH, 50 HZ, 1.9A

**MINIMUM KEY SWITCH BOX SIZE:**

3" TALL x 2 1/4" W x 2 1/2" DEEP



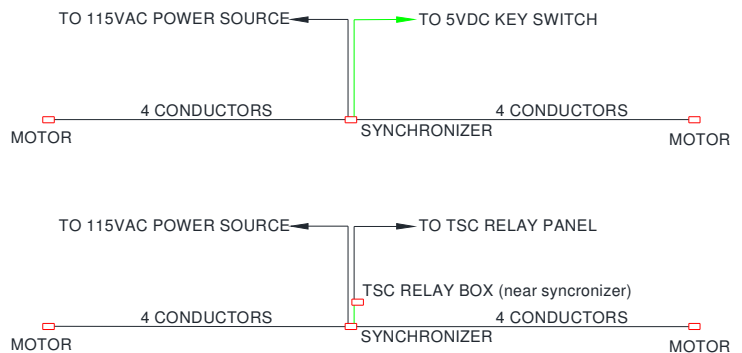
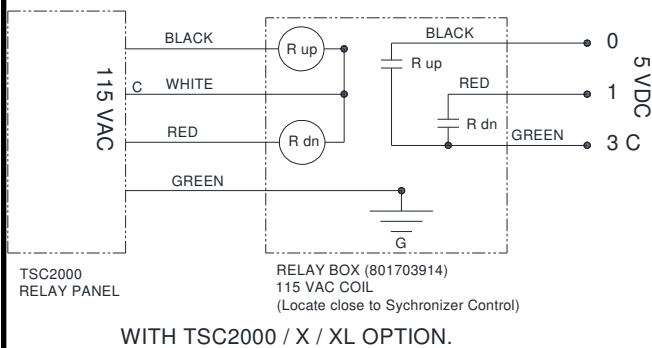
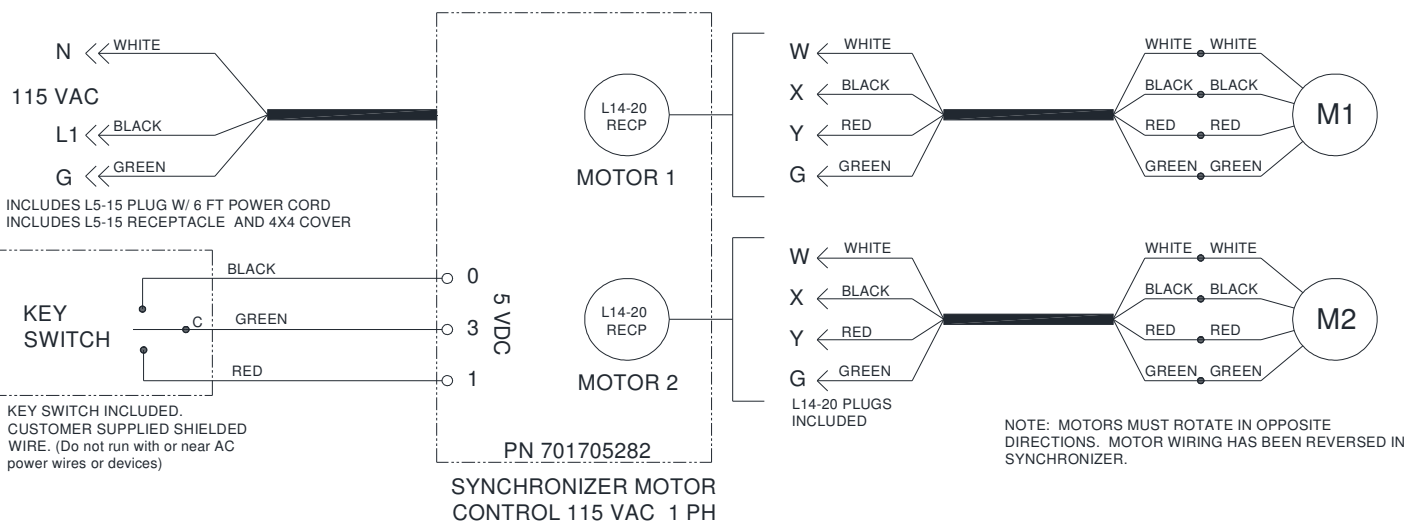
WWW.ADPLEMCO.COM  
SALES@ADPLEMCO.COM

13702 SOUTH 200 WEST B9  
DRAPER, UT 84020

PHONE (801) 280-4000  
FAX (801) 280-4040

4050 SCHEMATIC, SINGLE MOTOR

DRAWN	DATE	REV
	6/10/2011	-
SHT. NO.	PART NO.	
2 OF 4	6300	



#### WIRING INFORMATION:

PROVIDED WITH (2) MOTORS W/ 6 FT OF CORD EACH,  
(1) SYNCHRONIZER CONTROL, AND (1) KEYSWITCH.

ALL WIRING (BY OTHERS) MUST BE SUPPLIED TO  
BOTH MOTORS AT EACH END OF CURTAIN FROM  
SYNCHRONIZER UNITS.

ALL OTHER ELECTRICAL, JUNCTION, AND SYNCHRONIZER  
BOXES ARE TO BE FURNISHED AND INSTALLED BY A  
CERTIFIED ELECTRICAL CONTRACTOR, FOLLOWING  
ALL LOCAL CODES AND MANUFACTURE'S INSTRUCTIONS.

MOUNT JUNCTION BOXES WITHIN 6 FT. OF EACH MOTOR

ELECTRICAL WIRING FOR EACH CURTAIN MUST BE ON A  
DEDICATED ELECTRICAL CIRCUIT.

#### ELECTRICAL SPECIFICATIONS:

- DEDICATED 15A CIRCUIT BREAKER (by others)
- MOTOR: 115VAC +/- 10%, 1 PH, 60 HZ, 6.8 A (3.4A per motor)

**SYNCHRONIZER BOX:**  
7 1/2" L x 4" W x 3" DEEP

**MINIMUM KEY SWITCH BOX SIZE:**  
3" TALL x 2 1/4" W x 2 1/2" DEEP



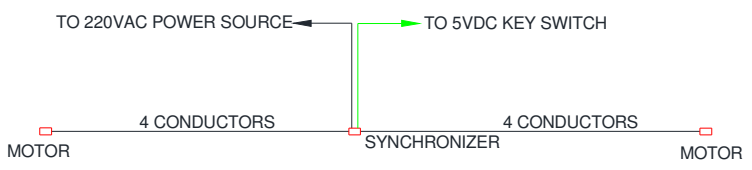
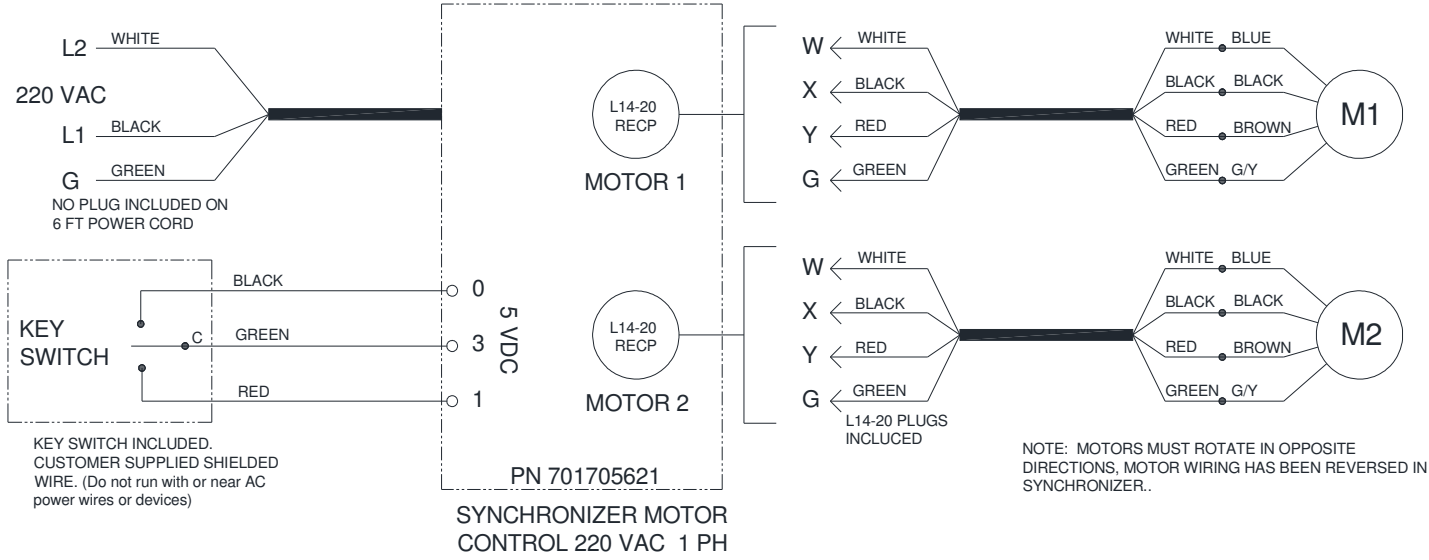
WWW.ADPLEMCO.COM  
SALES@ADPLEMCO.COM

13702 SOUTH 200 WEST B9  
DRAPER, UT 84020

PHONE (801) 280-4000  
FAX (801) 280-4040

4050 SCHEMATIC, DUAL 120V 1PH 60HZ

DRAWN	DATE	REV
	6/10/2011	-
SHT. NO.	PART NO.	
3 OF 4	6300	



**WIRING INFORMATION:**

PROVIDED WITH (2) MOTORS W/ 6 FT OF CORD EACH, (1) SYNCHRONIZER CONTROL, AND (1) KEYSWITCH.

ALL WIRING (BY OTHERS) MUST BE SUPPLIED TO BOTH MOTORS AT EACH END OF CURTAIN FROM SYNCHRONIZER UNITS.

ALL OTHER ELECTRICAL, JUNCTION, AND SYNCHRONIZER BOXES ARE TO BE FURNISHED AND INSTALLED BY A CERTIFIED ELECTRICAL CONTRACTOR, FOLLOWING ALL LOCAL CODES AND MANUFACTURE'S INSTRUCTIONS.

MOUNT JUNCTION BOXES WITHIN 6 FT. OF EACH MOTOR

ELECTRICAL WIRING FOR CURTAIN MUST BE ON A DEDICATED ELECTRICAL CIRCUIT.

**ELECTRICAL SPECIFICATIONS:**

- DEDICATED 10A CIRCUIT BREAKER (by others)
- MOTOR: 220VAC +/- 10%, 1 PH, 50 HZ, 3.8 A (1.9 A per motor)

**SYNCHRONIZER BOX:**  
7 1/2" L x 4" W x 3" DEEP

**MINIMUM KEY SWITCH BOX SIZE:**  
3" TALL x 2 1/4" W x 2 1/2" DEEP



WWW.ADPLEMCO.COM  
SALES@ADPLEMCO.COM

13702 SOUTH 200 WEST B9  
DRAPER, UT 84020

PHONE (801) 280-4000  
FAX (801) 280-4040

**4050 SCHEMATIC, DUAL 220V 1PH 50HZ**

DRAWN	DATE	REV
	6/10/2011	-
SHT. NO.	PART NO.	
4 OF 4	6300	