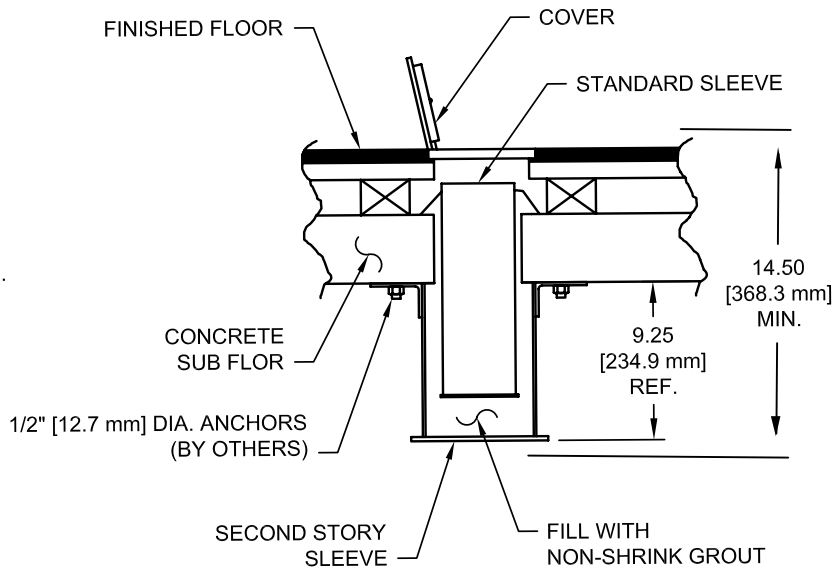


INSTALLATION DETAIL

SCALE 3:2



REVISION		
REV.	DATE	BY

13702 SOUTH 200 WEST B9 DRAPER, UT 84020
 WWW.ADPLEMCO.COM

PHONE (801) 280-4000
 FAX (801) 280-4040
 SALES@ADPLEMCO.COM

THIS DOCUMENT CONTAINS TRADE SECRET AND OTHER MATERIALS WHICH ARE PROTECTED BY CONFIDENTIALITY NOTICE AND AGREEMENT AND BY COPYRIGHT. ANY USE OR COPYING OF THIS DOCUMENT EXCEPT AS AUTHORIZED BY ADP LEMCO INC, IS STRICTLY PROHIBITED.

VOLLEYBALL ANCHOR SYSTEM				
SIZE	SCALE	SHT. NO.	PART NO.	REV
A	NONE	1 OF 1	6401	B

MODEL 6401

SECOND STORY FLOOR SLEEVE ADAPTER

RECOMMENDED APPLICATION

Designed for use in facilities where the owner desires to install floor sleeves on floors above the ground floor or in gymnasiums over a crawl space.

SPECIFICATIONS

Second story floor sleeve adapter is constructed with 6-5/8" O.D. x .156 wall tubing and steel channels. Unit bolts to the underside of the concrete. With adapter in place, floor sleeves may be installed normally.

Subject to design change and current manufacturing practices.