

FLOATING FLOOR

SYNTHETIC FLOOR

| REVISION | | |
|----------|------|----|
| REV. | DATE | BY |
| | | |
| | | |
| | | |
| | | |
| | | |
| | | |
| | | |
| | | |
| | | |
| | | |

13702 SOUTH 200 WEST B9 DRAPER, UT 84020
 WWW.ADPLEMCO.COM

PHONE (801) 280-4000
 FAX (801) 280-4040
 SALES@ADPLEMCO.COM

THIS DOCUMENT CONTAINS TRADE SECRET AND OTHER MATERIALS WHICH ARE PROTECTED BY CONFIDENTIALITY NOTICE AND AGREEMENT AND BY COPYRIGHT. ANY USE OR COPYING OF THIS DOCUMENT EXCEPT AS AUTHORIZED BY THE MANUFACTURER IS STRICTLY PROHIBITED.

VOLLEYBALL ANCHOR SYSTEM

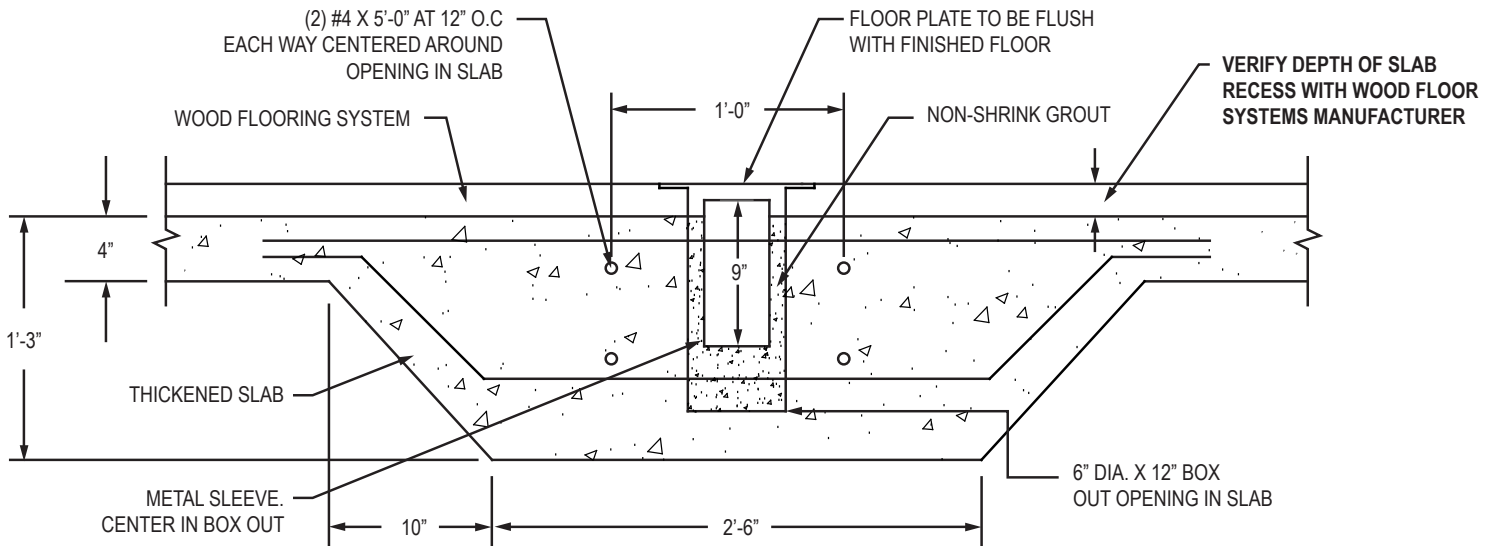
DWG. NO. 3.0 DIA. SLEEVE

| | | | | |
|------|-------|----------|----------|-----|
| SIZE | SCALE | SHT. NO. | PART NO. | REV |
| A | NONE | 1 OF 1 | 6404 | C |


MODEL 6404
VOLLEYBALL 3.0" DIA. FLOOR SLEEVE

Floor sleeve shall be constructed of steel and shall be up to 9" long. Inside diameter of sleeve shall be 3". Sleeve is designed to work with both floating and non-floating synthetic floors.

Subject to design change and current manufacturing practices.



| REVISION | | |
|----------|------|----|
| REV. | DATE | BY |
| - | - | - |
| | | |
| | | |
| | | |
| | | |
| | | |
| | | |



ADPLEMCO
INCORPORATED

13702 SOUTH 200 WEST B9 DRAPER, UT 84020
WWW.ADPLEMCO.COM

PHONE (801) 280-4000
FAX (801) 280-4040
SALES@ADPLEMCO.COM

THIS DOCUMENT CONTAINS TRADE SECRET AND OTHER MATERIALS WHICH ARE PROTECTED BY CONFIDENTIALITY NOTICE AND AGREEMENT AND BY COPYRIGHT. ANY USE OR COPYING OF THIS DOCUMENT EXCEPT AS AUTHORIZED BY THE MANUFACTURER IS STRICTLY PROHIBITED.

| VOLLEYBALL POST SLEEVE INSTALLATION DETAIL | | | | |
|--|----------------|--------------------|----------|----------|
| DRAWN | DATE | MATERIAL N/A | | |
| APPROVED | DATE | FINISH N/A | | |
| FILE LOC. Q:\Final Release\Specifications | | DWG. NO. 6006 | | |
| SIZE A | SCALE NOTED | SHT. NO. 1 OF 1 | PART NO. | REV - |