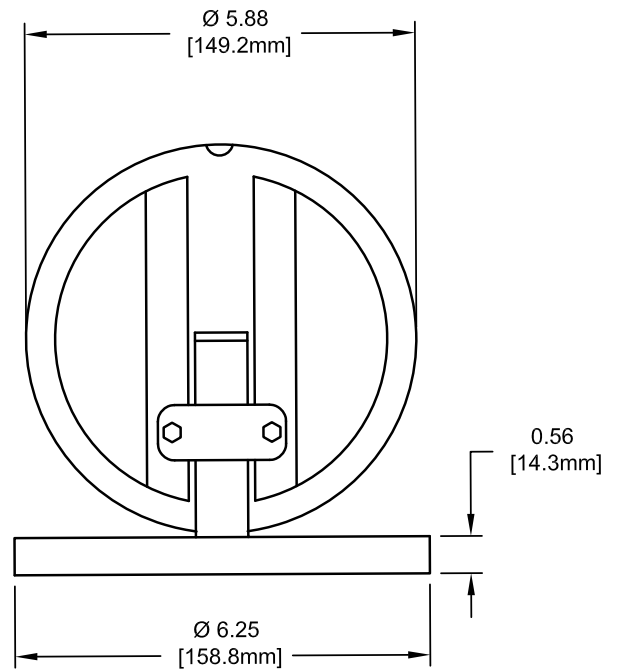


TOP VIEW
WITHOUT COVER



SIDE VIEW
WITH COVER

MODEL	FINISH	LOCK
6423	POLISHED BRASS	NO
6426	CHROME	NO
6428	CHROME	YES
6429	POLISHED BRASS	YES

REVISION		
REV.	DATE	BY



13702 SOUTH 200 WEST B9 DRAPER, UT 84020
WWW.ADPLEMCO.COM

PHONE (801) 280-4000
FAX (801) 280-4040
SALES@ADPLEMCO.COM

THIS DOCUMENT CONTAINS TRADE SECRET AND OTHER MATERIALS WHICH ARE PROTECTED BY CONFIDENTIALITY NOTICE AND AGREEMENT AND BY COPYRIGHT. ANY USE OR COPYING OF THIS DOCUMENT EXCEPT AS AUTHORIZED BY THE MANUFACTURER IS STRICTLY PROHIBITED.

STANDARD SIZE FLOOR COVER			
			DWG. NO. 6423
SIZE A	SCALE NONE	SHT. NO. 1 OF 1	PART NO. 6423
			REV B

MODEL 6423

VOLLEYBALL FLOOR COVER STANDARD SIZE

Floor cover shall be brass alloy with attached hinged cover. Hinge and four holes in the ring (for screwing into the floor) shall be completely concealed under the cover when in the closed position, allowing for a completely flat surface. In a "floating" wood floor, the floor plate is connected to the floor only, allowing it to move with the expansion and contraction of the floor. Cover shall be 6-1/4" in diameter by 9/16" thick. Diameter of opening shall be 5".

6423 - Polished Brass without lock

6426 - Chrome without lock

6428 - Chrome with lock

6429 - Polished Brass with lock

Subject to design change and current manufacturing practices.