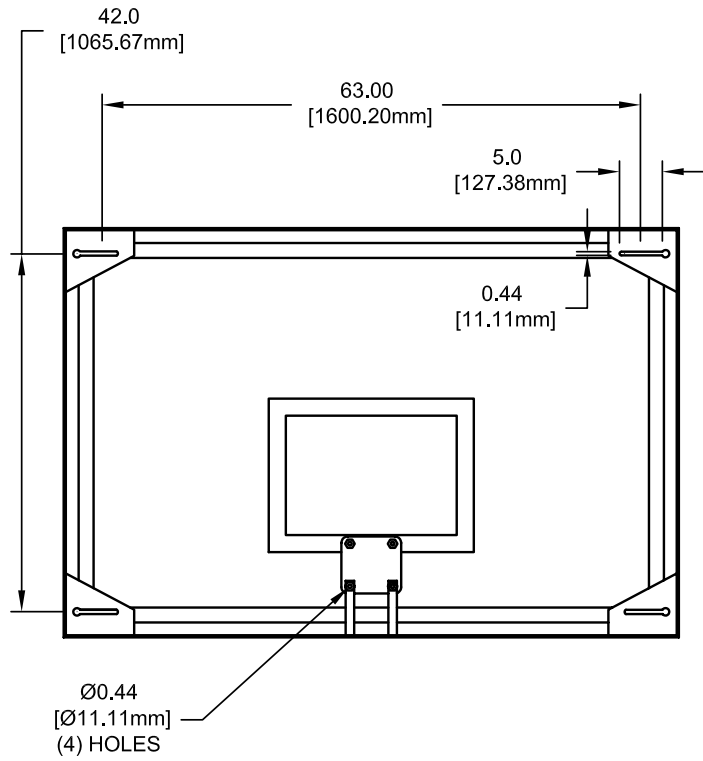


FRONT VIEW



REAR VIEW

NOTE:

BACKBOARD THICKNESS - 2 1/8".
 MATERIAL - 1/2" THICK TEMPERED GLASS WITH ALUMINUM FRAME.
 FINISH - GRAY POWDERCOAT ON BRACKETS AND PLATES.

| REVISION | | |
|----------|------|----|
| REV. | DATE | BY |
| | | |
| | | |
| | | |
| | | |
| | | |
| | | |
| | | |
| | | |



13702 SOUTH 200 WEST B9 DRAPER, UT 84020
 WWW.ADPLEMCO.COM

PHONE (801) 280-4000
 FAX (801) 280-4040
 SALES@ADPLEMCO.COM

THIS DOCUMENT CONTAINS TRADE SECRET AND OTHER MATERIALS WHICH ARE PROTECTED BY CONFIDENTIALITY NOTICE AND AGREEMENT AND BY COPYRIGHT. ANY USE OR COPYING OF THIS DOCUMENT EXCEPT AS AUTHORIZED BY ADP LEMCO INC. IS STRICTLY PROHIBITED.

48" ALUMINUM FRAME GLASS BACKBOARD

| | | | | |
|----------|-------|----------|-----------|----------|
| SIZE | SCALE | SHT. NO. | PART NO. | REV |
| A | NOTED | 1 OF 1 | 65 | B |

MODEL 65

ALUMINUM FRAME 72" X 48" RECTANGULAR GLASS BACKBOARD

The 65 backboard shall be fabricated with an aluminum frame constructed of 0.200' thick extruded "F" channel with steel corner brackets. All steel components shall be powder coated with a durable gray finish. An aluminum-capped frame will not be acceptable. Manufacturer of backboard shall have over ten years experience. Backboard shall meet NCAA and high school requirements.

Glass shall be 1/2" in thickness and fully tempered with white target and border lines permanently fused onto surface. 12mm glass will not be considered equal to 1/2" glass, with a nominal thickness range of .485" to .515", and will not be used as a substitute for full 1/2" glass. Vinyl shock absorbing material shall insulate glass from frame. Goal mounting holes shall be on 5" horizontal and 5" vertical centers. Shock insulating pads shall be used between steel mounting plate and glass to protect against possible breakage.

ACCESSORIES

GOALS

Compatible goals are models 20, 22 and 25. See goal section in specification manual.