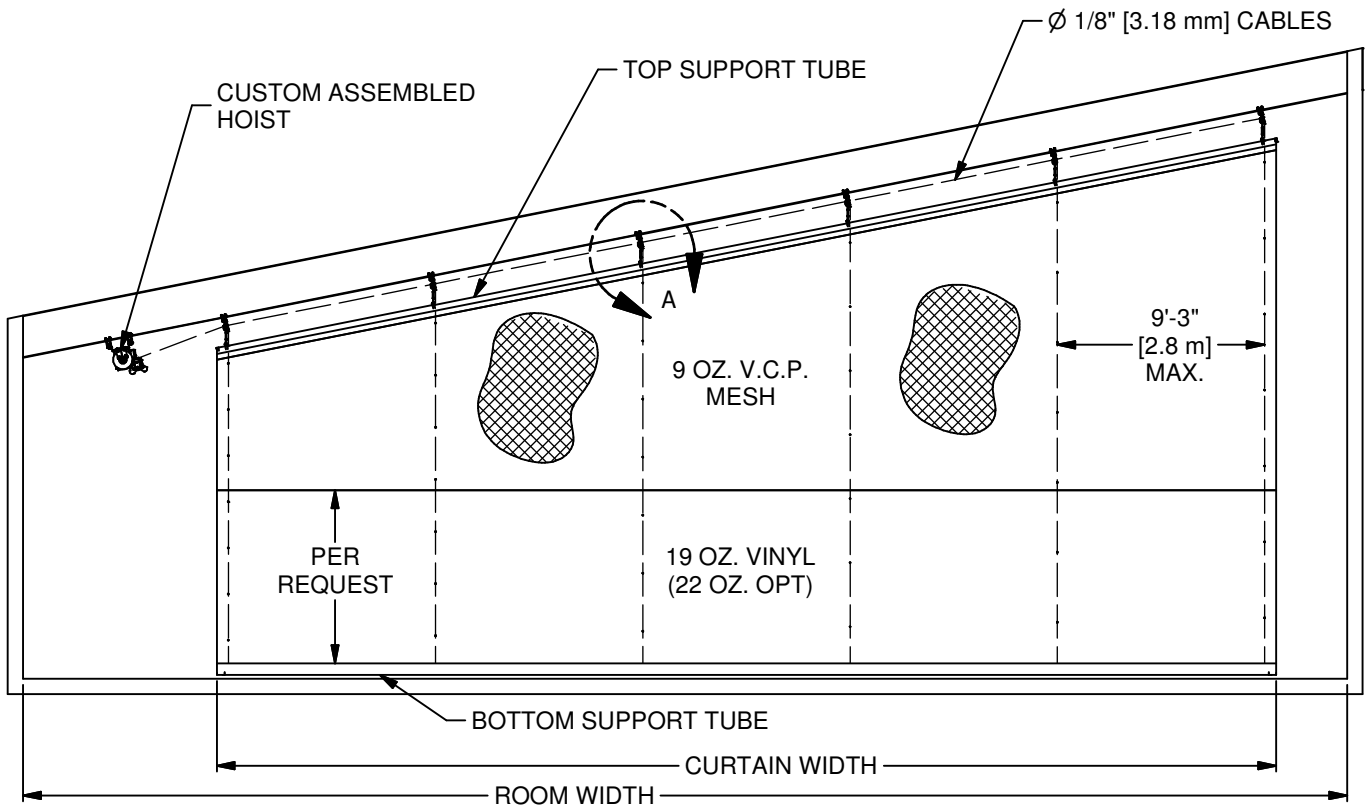


DETAIL A



MOTOR DATA:  
 3/4 HP, 120 VOLT, SINGLE PHASE  
 WITH KEY SWITCH & RECEPTACLE.

NOTE: 22 OZ. VINYL ONLY AVAILABLE IN RED, ROYAL BLUE, OR GRAY

SEE SHEET 2 FOR PEAK FOLD CURTAIN



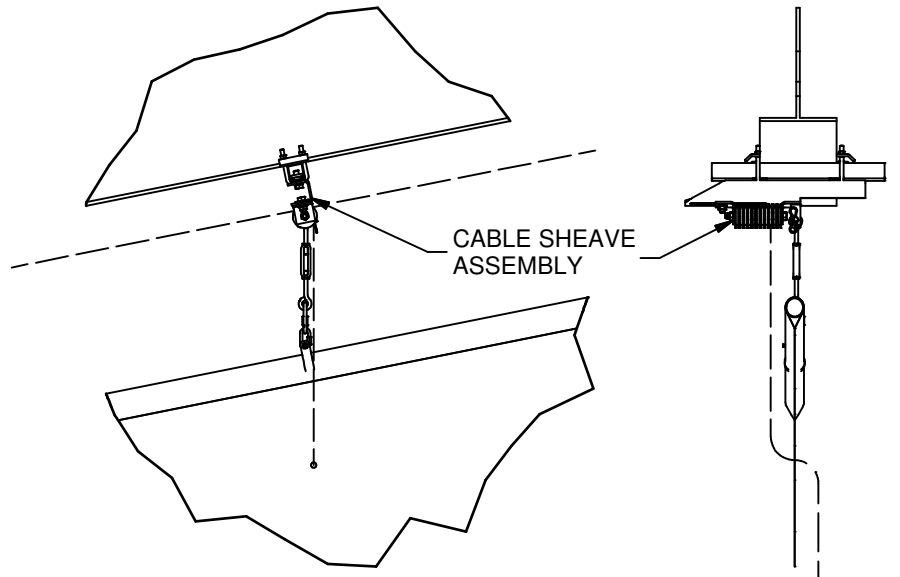
WWW.ADPLEMCO.COM  
 SALES@ADPLEMCO.COM

13702 SOUTH 200 WEST B9  
 DRAPER, UT 84020

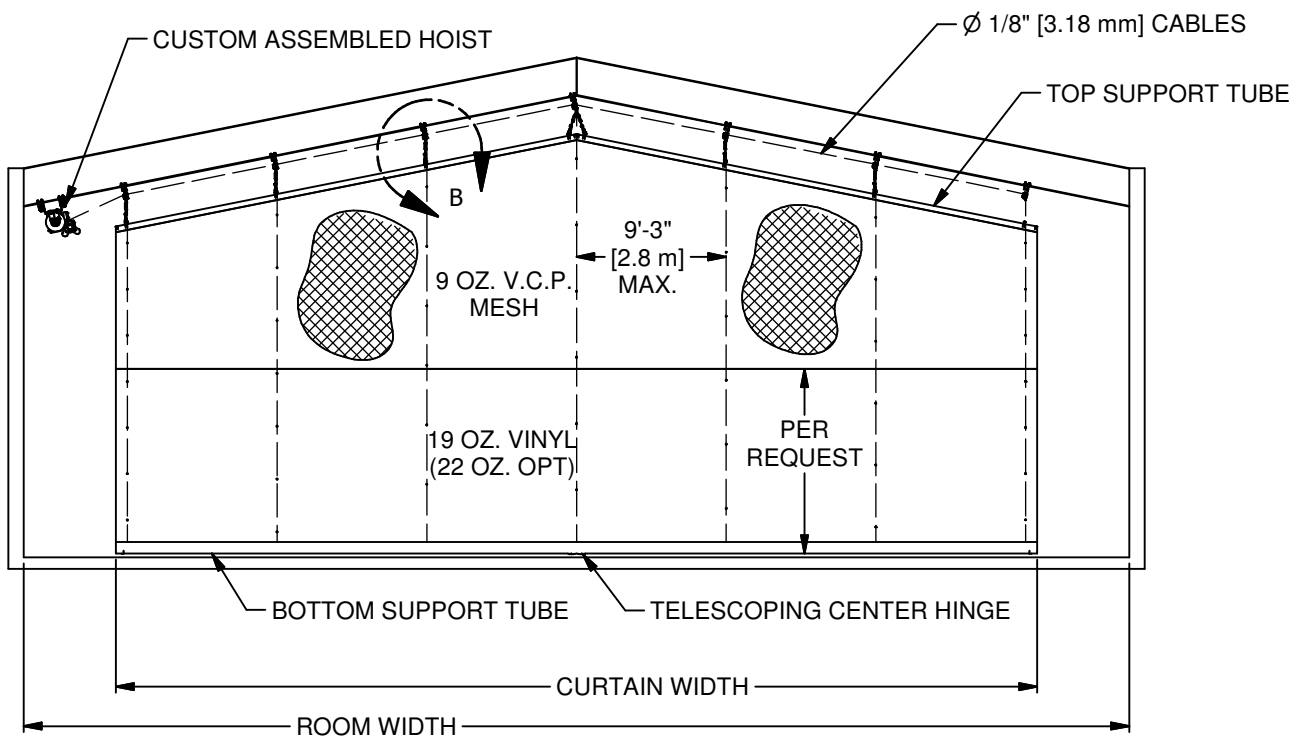
PHONE (801) 280-4000  
 FAX (801) 280-4040

CURTAIN - SLOPE FOLD

DRAWN	DATE	REV
	4/22/2003	-
SHT. NO.	PART NO.	
1 OF 2	6550	



DETAIL B



MOTOR DATA:  
3/4 HP, 120 VOLT, SINGLE PHASE  
WITH KEY SWITCH & RECEPTACLE.

NOTE: 22 OZ. VINYL ONLY AVAILABLE IN RED, ROYAL BLUE, OR GRAY

SEE SHEET 1 FOR SLOPE FOLD CURTAIN



WWW.ADPLEMCO.COM  
SALES@ADPLEMCO.COM

13702 SOUTH 200 WEST B9  
DRAPER, UT 84020

PHONE (801) 280-4000  
FAX (801) 280-4040

CURTAIN - PEAK FOLD

DRAWN	DATE	REV
	4/22/2003	-
SHT. NO.	PART NO.	
2 OF 2	6550	

## **PEAK OR SLOPE FOLD DIVIDER CURTAIN**

### **OVERHEAD SUPERSTRUCTURE**

The model 4025 gym curtain is supported from the roof structure by directly attaching to the underneath side of the roof truss or by attaching to 3 1/2" O.D. horizontal and 2 3/8" O.D. vertical structural tubing. Bridge pipe will be required when truss span exceeds 14'. Superstructure shall be furnished with standard black finish. If special finish coat is required, specify final painting by painting contractor.

### **MATERIAL**

The lower section height to be specified at time of order shall be solid 19 oz. or 22 oz. polyester reinforced, fire retardant and mildew resistant vinyl fabric. Seams shall be electronically welded with a full contact weld. A padded pocket shall be formed in the bottom edge of the curtain to accommodate a 1-7/8" O.D. bottom support pipe. Upper portion of curtain shall be a 9-oz vinyl coated polyester mesh. A pocket shall be formed in the top edge to accommodate a 1-7/8" O.D. top support pipe. Curtain shall stop 2" above the finish floor and can be specified all mesh, all vinyl or any combination in between.

### **DRIVE / SUPPORT STRUCTURE**

The curtain shall be operated by a specially engineered curtain hoist equipped with a 3/4 horse power, 115-volt gear motor with thermal overload protection. Gearbox is filled with oil and completely sealed at the factory. The electric hoist is operated from a three-position momentary contact dual-key safety switch. Rotary counting limit switches control the raising and lowering of the curtain. Hoist shall be pre-wired and come complete with twist lock plug and receptacle.

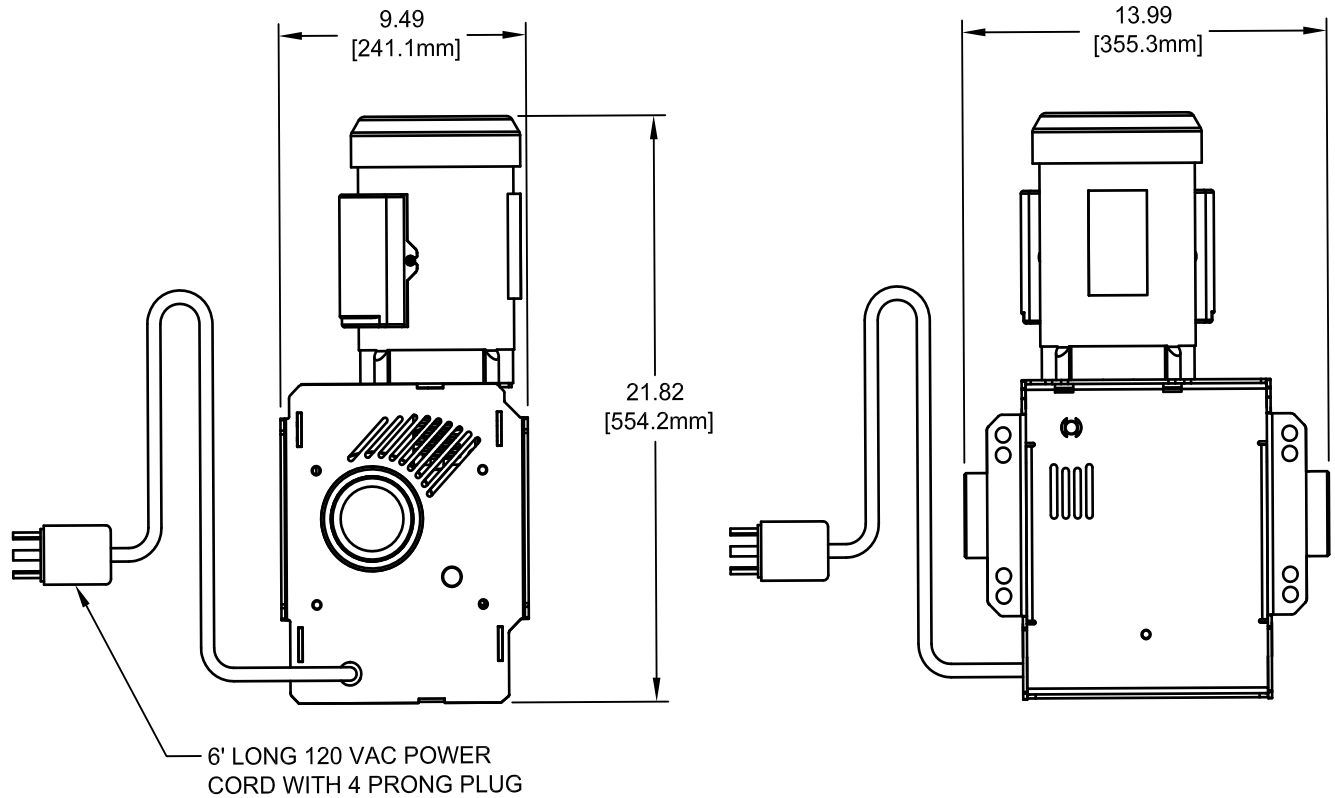
The curtain shall be lifted by means of 1/8" galvanized aircraft cable. Lift cables shall be spaced at no greater than 10'-0" center to center. The cable shall pass through grommets spaced approximately 18" apart. Upper ends of cables to pass through steel sheave assemblies to minimize friction during operation. Cables shall be individually routed to the electric hoist through special idler pulleys as required by building conditions.

Hoist cables shall terminate in individual hoist drums. Each drum shall be engineered with a variable diameter to allow the curtain to raise and store into sloped, peaked or arched ceilings.

### **ACCESSORIES**

Compatible hoist is the Gym Divider Curtain Hoist. Hoist can be used with wireless remote operator or the Gymnasium Controller. Gymnasium controller or wireless remote sold separately.

\*4002BC HOIST COMPATIBLE WITH 4020 & 4030 DIVIDER CURTAINS AND THE 4080 MULTISPORT CAGE.



**NOTES:**

MOTOR DATA : 1 HP. 110/120 VAC, 60 Hz, SINGLE PHASE, INSTANT REVERSE, THERMALLY PROTECTED.

HOIST MAY BE MOUNTED IN ANY ORIENTATION.

SELF LUBRICATING GEARING WITH NO OIL BATH.

**CAUTION:**

KEY SWITCH MUST BE LOCATED IN AN AREA THAT ALLOWS THE BACKSTOP TO BE VISIBLE TO THE OPERATOR.

REVISION		
REV.	DATE	BY



13702 SOUTH 200 WEST B9 DRAPER, UT 84020  
 WWW.ADPLEMCO.COM

PHONE (801) 280-4000  
 FAX (801) 280-4040  
 SALES@ADPLEMCO.COM

THIS DOCUMENT CONTAINS TRADE SECRET AND OTHER MATERIALS WHICH ARE PROTECTED BY CONFIDENTIALITY NOTICE AND AGREEMENT AND BY COPYRIGHT.

**ELECTRIC DIVIDER CURTAIN HOIST**

SIZE	SCALE	SHT. NO.	PART NO.	REV
A	NONE	1 OF 1		C

## **ELECTRIC DIVIDER CURTAIN HOIST**

Maximum Load	1,000 in-lbs torque. Lifts a 700 lb curtain on a 2-3/4" winding diameter.
Load Type	Vertical Lifting.
Travel	72 drum revolutions. 50 ft of lift on a 2-3/4" winding diameter.
Speed	20 RPM of drum. 15 FPM using a 2-3/4" winding diameter.
Electrical	110 VAC, 60 Cycle. Other voltages and frequencies available on special order at additional cost.
Motor	1 HP, 13 A (Full load amperage). Instant reversing, low maximum current draw design.
Duty Cycle	Standard: 10 Minutes ON, 20 Minutes OFF.
Gear Reduction	Proprietary composite self lubrication gearing with no oil bath.
Drive Drum	Drive drum is a hollow-bore style to accept a 2-3/8" OD line shaft. Torque transmits via (2) 1/2" diameter pins installed through the line shaft. Drive drum is supported on large diameter ball bearings.
Braking	Double, self-locking worm gearing plus passive uni-directional brake.
Limit Switches	Heavy duty upper and lower limit switches, gear driven for high accuracy. Maximum travel is 72 revolutions.
Frame Construction	Precision interlocking steel frame for high rigidity and precise alignment. Semi-enclosed for safety. Powder coated for corrosion resistance.
Weight	64 lbs.

### **WARNING:**

Not to be used for lifting people  
Not to be used for lifting objects over people without either a safety locking device or an automatic fall arrester system installed.