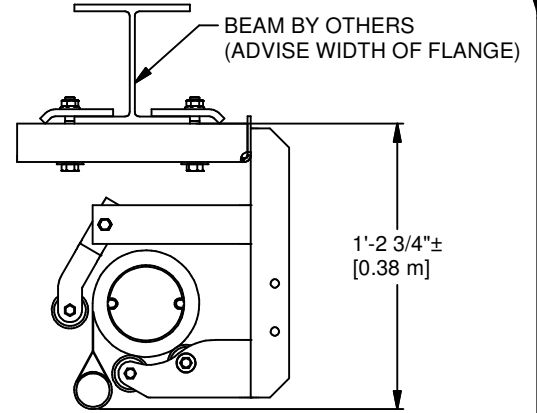
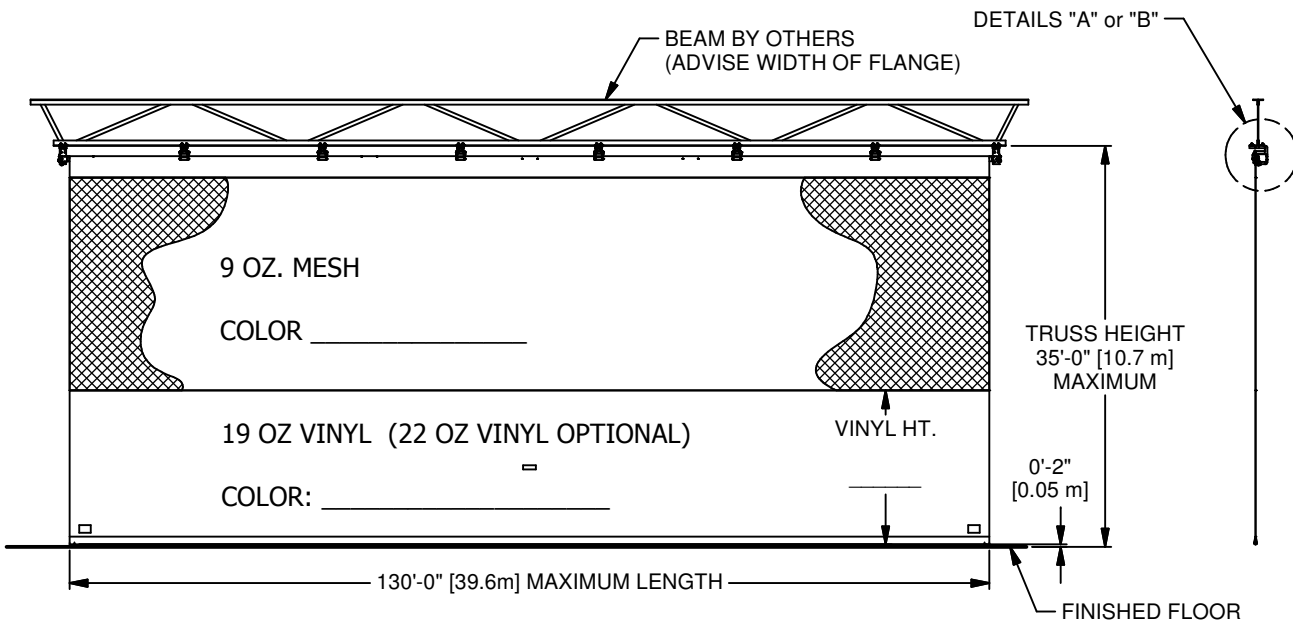


DETAIL "A"
(SHOWN IN UP POSITION)
BEAM PERPENDICULAR TO CURTAIN.



DETAIL "B"
(SHOWN IN UP POSITION)
CURTAIN DIRECTLY ATTACHED TO BEAM.
CAN ONLY BE USED WHEN BEAM IS LEVEL
WITHIN 1" IN 50 FT.



FABRIC NOTES:

- 22 OZ. VINYL ONLY AVAILABLE IN RED, ROYAL BLUE OR GRAY.

CONTROLS:

- KEY SWITCH INCLUDED. LOCATE SWITCH SO THAT OPERATOR HAS FULL VIEW OF CURTAIN AT ALL TIMES DURING OPERATION.
- SYNCHRONIZER INCLUDED WHEN (2) MOTOR ARE REQUIRED.

CONSTRUCTION:

- 4" [101.6 mm] OD ALUMINUM DRIVE TUBE
- 1.9" [48.3 mm] O.D. STEEL CARRIER ROLLERS
- 1.9" [48.3 mm] O.D. BOTTOM BATTEN TUBE
- PADDED BOTTOM BATTEN POCKET
- CURTAIN DIMENSIONS MAY BE LIMITED BY MOTOR TORQUE.

MOTOR:

- (1) or (2) TUBULAR GEARMOTORS, 700 INLB TORQUE EACH.
- 115VAC 1PH 60HZ 3.4A or 220VAC 1PH 50HZ 1.9A (each mtr).
- WITH BRAKE AND INTEGRAL LIMIT SWITCHES.
- WITH THERMAL OVERLOAD PROTECTION.



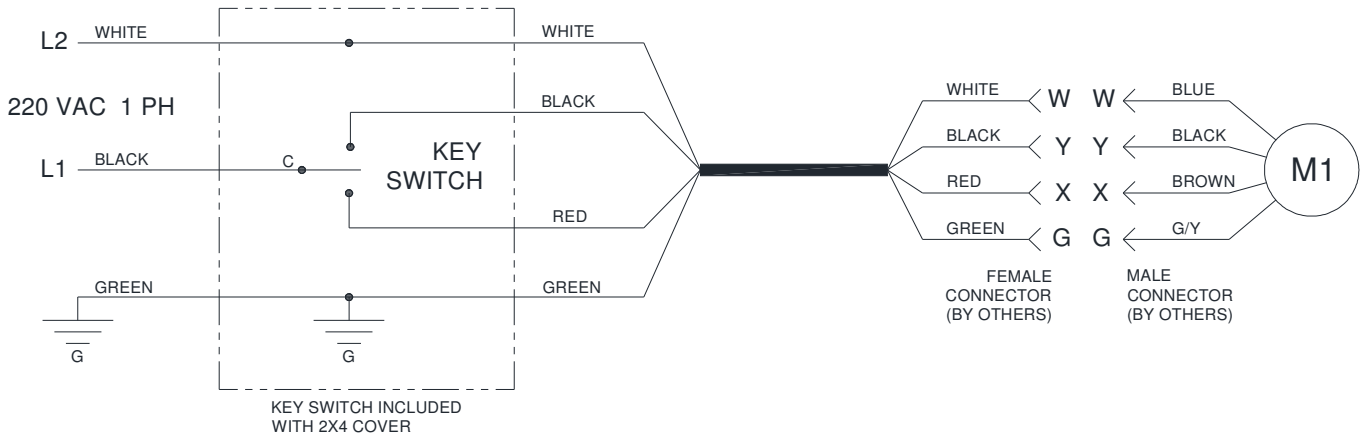
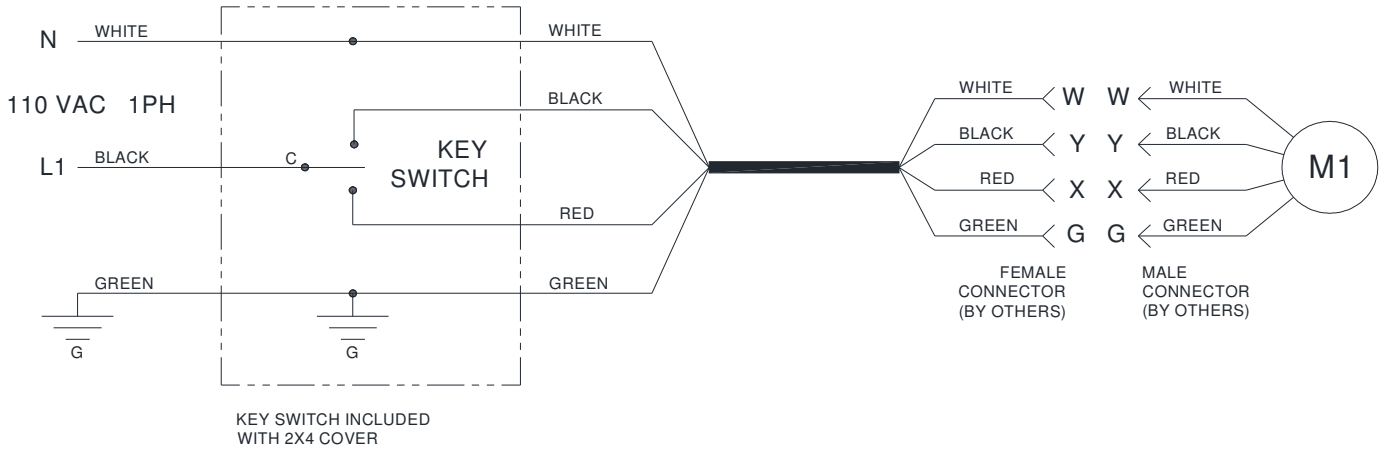
WWW.ADPLEMCO.COM
SALES@ADPLEMCO.COM

13702 SOUTH 200 WEST B9
DRAPER, UT 84020

PHONE (801) 280-4000
FAX (801) 280-4040

4040XL TOP ROLL DIVIDER CURTAIN

DRAWN	DATE	REV
	1/6/2016	-
SHT. NO.	PART NO.	
1 OF 4	6600G	



WIRING INFORMATION:

PROVIDED WITH (1) MOTOR W/ 6 FT OF CORD AND (1) KEYSWITCH.

ALL WIRING SUPPLIED BY OTHERS.

ALL OTHER ELECTRICAL AND JUNCTION, BOXES ARE TO BE FURNISHED AND INSTALLED BY A CERTIFIED ELECTRICAL CONTRACTOR, FOLLOWING ALL LOCAL CODES AND MANUFACTURE'S INSTRUCTIONS.

MOUNT JUNCTION BOXES WITHIN 6 FT. OF EACH MOTOR

ELECTRICAL WIRING FOR EACH CURTAIN MUST BE ON A DEDICATED ELECTRICAL CIRCUIT.

ELECTRICAL SPECIFICATIONS:

- DEDICATED 10A CIRCUIT BREAKER (by others)
- MOTOR: 115VAC +/- 10%, 1 PH, 60 HZ, 3.4A
- MOTOR: 220VAC +/- 10%, 1 PH, 50 HZ, 1.9A

MINIMUM KEY SWITCH BOX SIZE:

3" TALL x 2 1/4" W x 2 1/2" DEEP



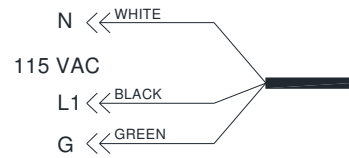
WWW.ADPLEMCO.COM
SALES@ADPLEMCO.COM

13702 SOUTH 200 WEST B9
DRAPER, UT 84020

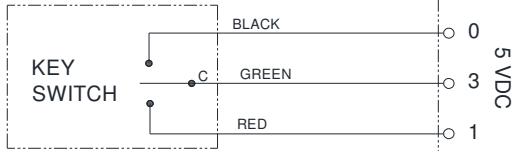
PHONE (801) 280-4000
FAX (801) 280-4040

4040XL SCHEMATIC, SINGLE MOTOR

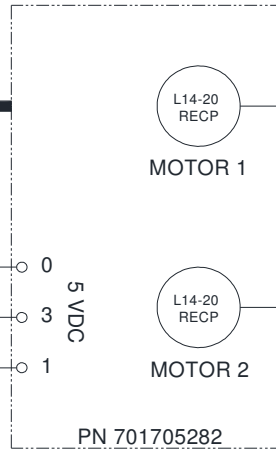
DRAWN	DATE	REV
	1/6/2016	-
SHT. NO.	PART NO.	
2 OF 4	6600G	



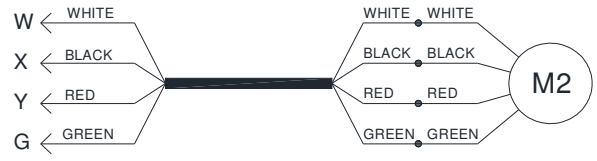
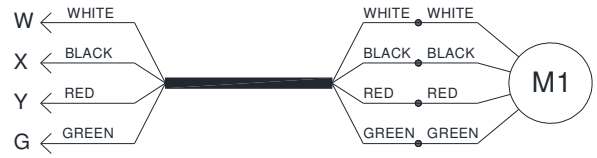
INCLUDES L5-15 PLUG W/ 6 FT POWER CORD
INCLUDES L5-15 RECEPTACLE AND 4X4 COVER



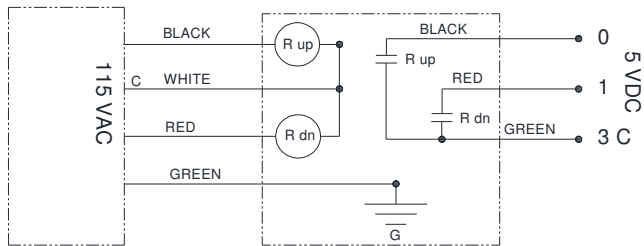
KEY SWITCH INCLUDED.
CUSTOMER SUPPLIED SHIELDED
WIRE. (Do not run with or near AC
power wires or devices)



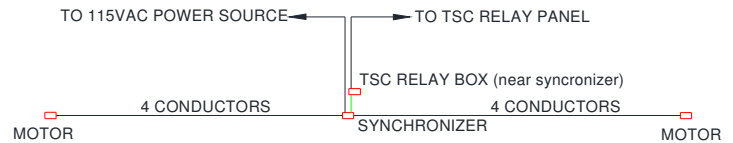
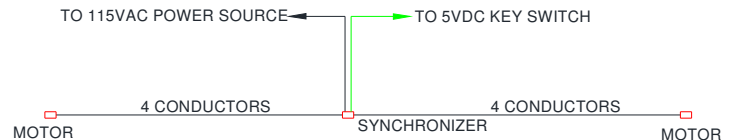
SYNCHRONIZER MOTOR CONTROL 115 VAC 1 PH



NOTE: MOTORS MUST ROTATE IN OPPOSITE DIRECTIONS. POLARITY HAS BEEN REVERSED IN THE SYNCHRONIZER.



WITH TSC2000 / X / XL OPTION.



WIRING INFORMATION:

PROVIDED WITH (2) MOTORS W/ 6 FT OF CORD EACH,
(1) SYNCHRONIZER CONTROL, AND (1) KEYSWITCH.

ALL WIRING (BY OTHERS) MUST BE SUPPLIED TO BOTH MOTORS AT EACH END OF CURTAIN FROM SYNCHRONIZER UNITS.

ALL OTHER ELECTRICAL, JUNCTION, AND SYNCHRONIZER BOXES ARE TO BE FURNISHED AND INSTALLED BY A CERTIFIED ELECTRICAL CONTRACTOR, FOLLOWING ALL LOCAL CODES AND MANUFACTURE'S INSTRUCTIONS.

MOUNT JUNCTION BOXES WITHIN 6 FT. OF EACH MOTOR

ELECTRICAL WIRING FOR EACH CURTAIN MUST BE ON A DEDICATED ELECTRICAL CIRCUIT.

ELECTRICAL SPECIFICATIONS:

- DEDICATED 15A CIRCUIT BREAKER (by others)
- MOTOR: 115VAC +/- 10%, 1 PH, 60 HZ, 6.8 A (3.4A per motor)

SYNCHRONIZER BOX:

7 1/2" L x 4" W x 3" DEEP

MINIMUM KEY SWITCH BOX SIZE:

3" TALL x 2 1/4" W x 2 1/2" DEEP



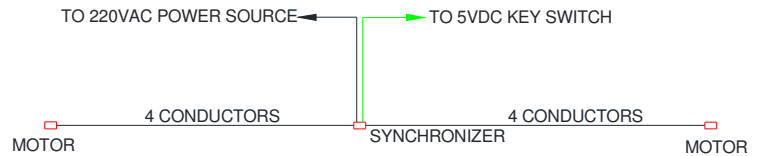
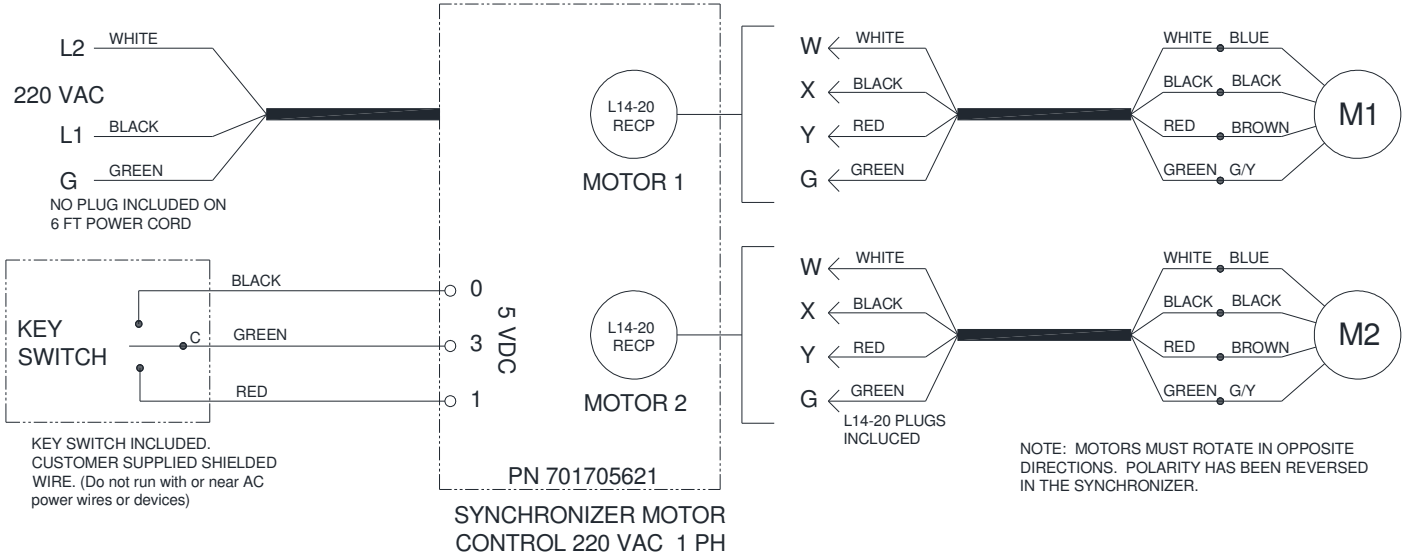
WWW.ADPLEMCO.COM
SALES@ADPLEMCO.COM

13702 SOUTH 200 WEST B9
DRAPER, UT 84020

PHONE (801) 280-4000
FAX (801) 280-4040

4040XL SCHEMATIC, DUAL 120V 1PH 60HZ

DRAWN	DATE	REV
	1/6/2016	-
SHT. NO.	PART NO.	
3 OF 4	6600G	



WIRING INFORMATION:

PROVIDED WITH (2) MOTORS W/ 6 FT. OF CORD EACH, (1) SYNCHRONIZER CONTROL, AND (1) KEYSWITCH.

ALL WIRING (BY OTHERS) MUST BE SUPPLIED TO BOTH MOTORS AT EACH END OF CURTAIN FROM SYNCHRONIZER UNITS.

ALL OTHER ELECTRICAL, JUNCTION, AND SYNCHRONIZER BOXES ARE TO BE FURNISHED AND INSTALLED BY A CERTIFIED ELECTRICAL CONTRACTOR, FOLLOWING ALL LOCAL CODES AND MANUFACTURE'S INSTRUCTIONS.

MOUNT JUNCTION BOXES WITHIN 6 FT. OF EACH MOTOR

ELECTRICAL WIRING FOR CURTAIN MUST BE ON A DEDICATED ELECTRICAL CIRCUIT.

ELECTRICAL SPECIFICATIONS:

- DEDICATED 10A CIRCUIT BREAKER (by others)
- MOTOR: 220VAC +/- 10%, 1 PH, 50 HZ, 3.8 A (1.9 A per motor)

SYNCHRONIZER BOX:

7 1/2" L x 4" W x 3" DEEP

MINIMUM KEY SWITCH BOX SIZE:

3" TALL x 2 1/4" W x 2 1/2" DEEP



WWW.ADPLEMCO.COM
SALES@ADPLEMCO.COM

13702 SOUTH 200 WEST B9
DRAPER, UT 84020

PHONE (801) 280-4000
FAX (801) 280-4040

4040XL SCHEMATIC, DUAL 220V 1PH 50HZ

DRAWN	DATE	REV
	1/6/2016	-
SHT. NO.	PART NO.	
4 OF 4	6600G	

MODEL 6600G TOP ROLL DIVIDER CURTAIN

OVERHEAD STRUCTURE

The model 6600G gym curtain is supported from the roof structures by directly attaching to the underneath side of roof truss or by attaching to 3-1/2" O.D. horizontal and 2-3/8" O.D. vertical structural tubing supplied by ADP Lemco Sports. Maximum attachment height shall not exceed 30'. Bridge pipe will be required when truss spans exceed 14'. Superstructure shall be furnished with standard black finish. If special finish coat is required, specify final painting by painting contractor.

MATERIAL

The lower 8'0" (maximum) shall be solid 19 oz. or 22 oz. polyester reinforced, fire retardant and mildew resistant vinyl fabric. Seams shall be electronically welded with a full contact weld. A padded pocket shall be formed in bottom edge of curtain to accommodate a 1.9" O.D. bottom batten. Upper portion of curtain shall be 9 oz. vinyl coated polyester mesh. A pocket of vinyl shall be formed in top edge of curtain to accommodate 1/4" galvanized aircraft cable for attachment to 3-1/8" O.D. extruded aluminum drive pipe. Curtain shall stop 2" above finished floor.

DRIVE STRUCTURE

Curtain shall be operated by two synchronized internal tubular motors (120 volt, 60 hertz, single phase). Each motor has a maximum torque of 352 inch pounds with a speed of 14 rpm. Each motor shall be equipped with integral up and down limit switches with locking push buttons. Each asynchronous motor is maintenance free, permanently lubricated, features overheating protection and has sturdy electrical and mechanical design for long life. Motors shall feature electromagnetic disk brake for smooth and accurate stop without slippage. This feature allows full braking power in the event of power failure. Motors shall also feature three-stage planetary gear mechanism for extremely quiet and reliable use. **Curtain does not require cables, belts or straps for operation.** Curtains requiring cables, belts or straps for operation shall not be considered equal.

Drive Shaft shall be supported by a carrier assembly spaced no greater than 10' center to center. Rocking center support shall consist of a formed bracket with hardwood (maple) rollers on which drive shaft shall rotate.

Motors shall utilize a flush mounted keyed switch to raise and lower the divider curtain. Key switch shall be located so that curtain is in full view of authorized operator at all times. Optional methods of operation include a Wireless Remote Control Operator or the Model 4060 TSC2000 Total System Control Keypad.

All electrical components to be located in overhead superstructure with the exception of the control switch. Curtains with (all) electrical components not located in overhead superstructure shall not be considered equal.

ADP Lemco Sports provides two (2) motors with 6' cords, one (1) synchronizer control and one (1) 24 volt key switch. Junction boxes shall be mounted within 6' of each motor. Electrical wiring for curtain must be on a dedicated circuit. **All other electrical, junction and synchronizer boxes to be furnished and installed by a certified electrical contractor. Follow manufacturer's instructions and all local codes.**