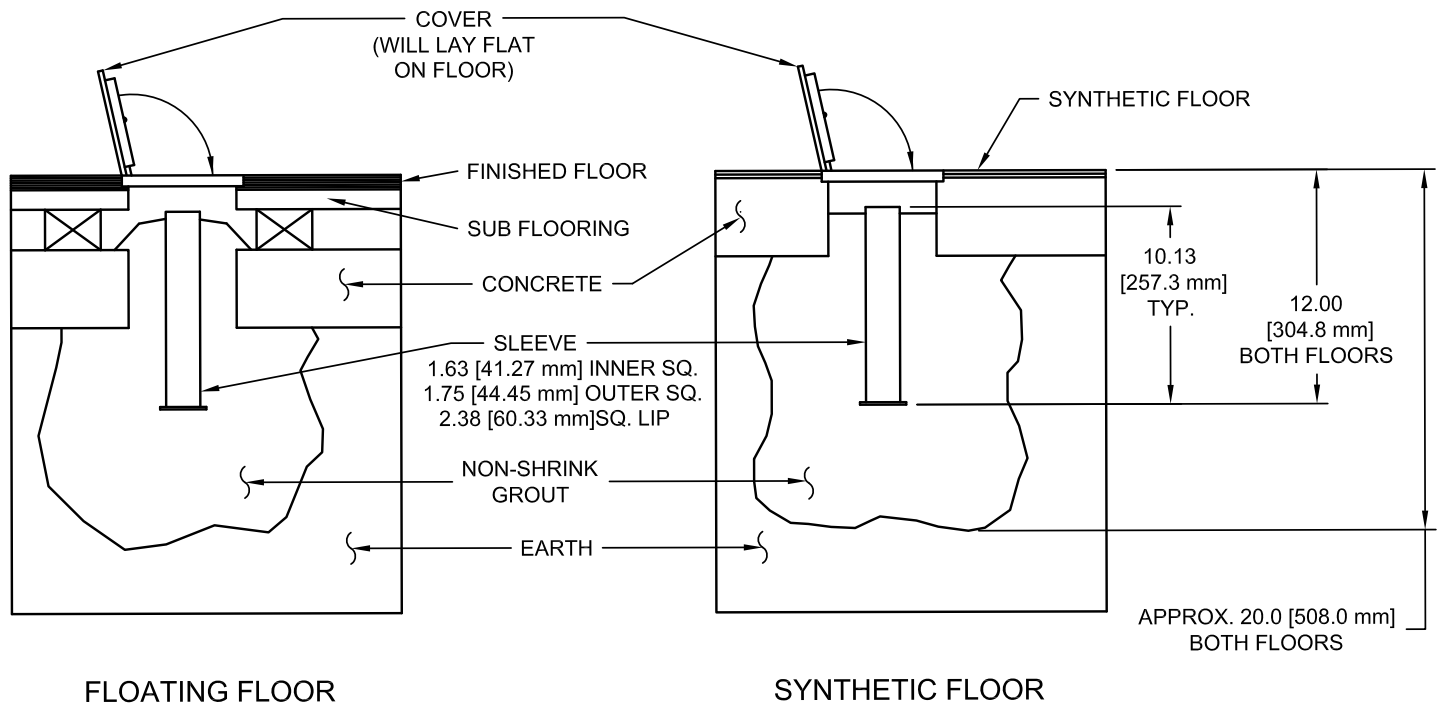
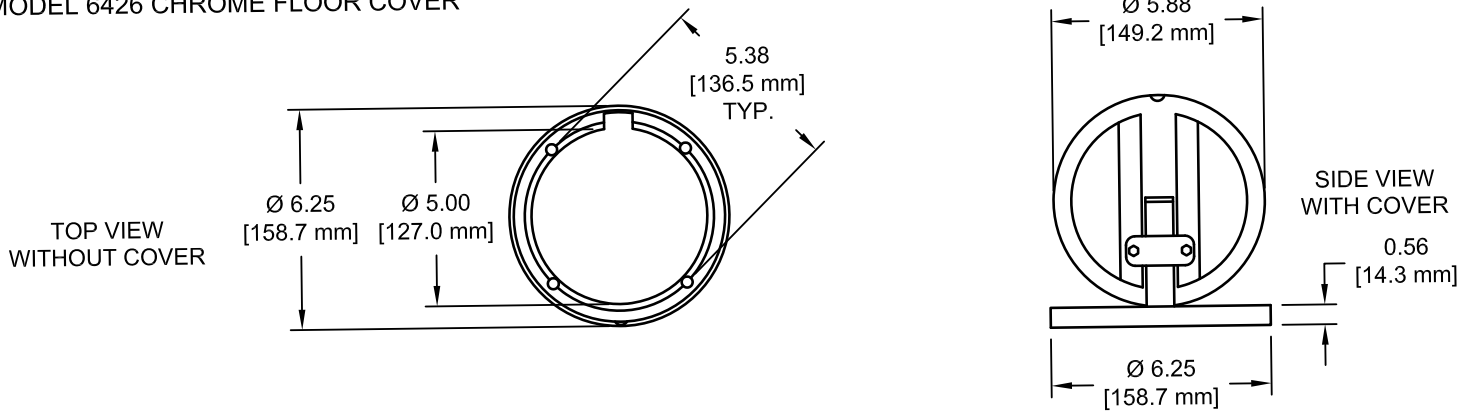


MODEL 6423 POLISHED BRASS FLOOR COVER
 MODEL 6426 CHROME FLOOR COVER



REVISION		
REV.	DATE	BY

13702 SOUTH 200 WEST B9 DRAPER, UT 84020
 WWW.ADPLEMCO.COM

PHONE (801) 280-4000
 FAX (801) 280-4040
 SALES@ADPLEMCO.COM

THIS DOCUMENT CONTAINS TRADE SECRET AND OTHER MATERIALS WHICH ARE PROTECTED BY CONFIDENTIALITY NOTICE AND AGREEMENT AND BY COPYRIGHT. ANY USE OR COPYING OF THIS DOCUMENT EXCEPT AS AUTHORIZED BY THE MANUFACTURER IS STRICTLY PROHIBITED.

BADMINTON ANCHOR SYSTEM

DWG. NO. 6423 / 6650

SIZE A	SCALE NONE	SHT. NO. 1 OF 1	PART NO. 6650	REV C
------------------	---------------	--------------------	-------------------------	-----------------

MODEL 6650
BADMINTON FLOOR COVER AND SLEEVE

Floor plate shall be brass alloy with attached hinged cover and 4 holes in ring (for screwing into floor) shall be completely concealed under the cover when in the closed position, allowing for a completely flat surface. In a "floating" floor, the floor plate is connected to the floor only, allowing it to move with expansion and contraction of the floor. Plates will be 6-1/4" in diameter by 9/16" thick. Diameter of opening shall be 5". Steel sleeve shall be 12" long. Inside dimensions of sleeve shall be 1.65" x 1.65".

6650-badminton floor sleeve

6423-badminton floor cover

Subject to design change and current manufacturing practices.