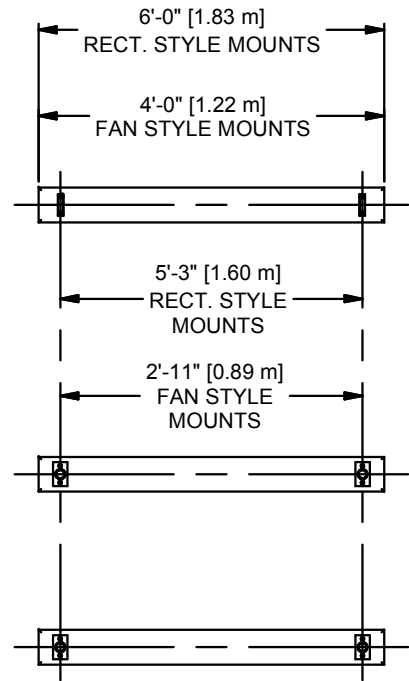
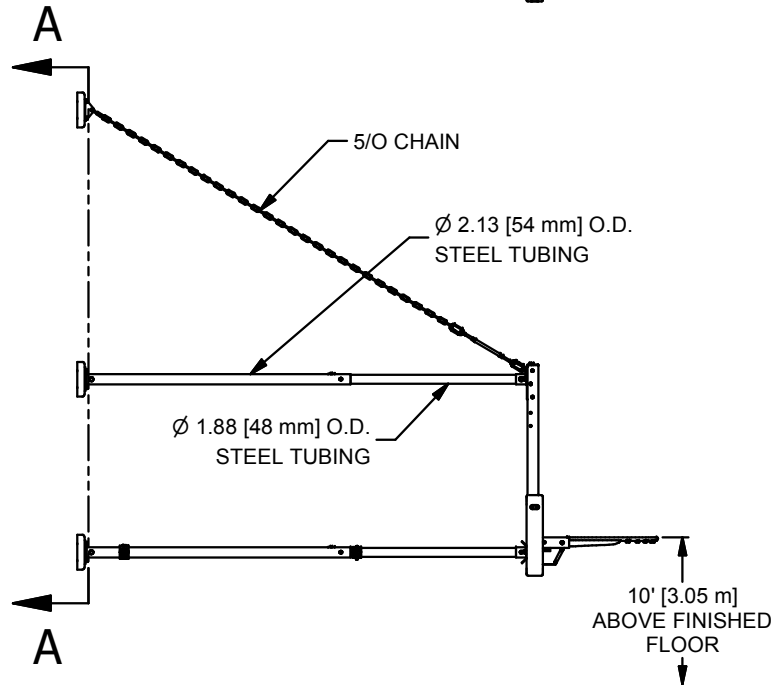
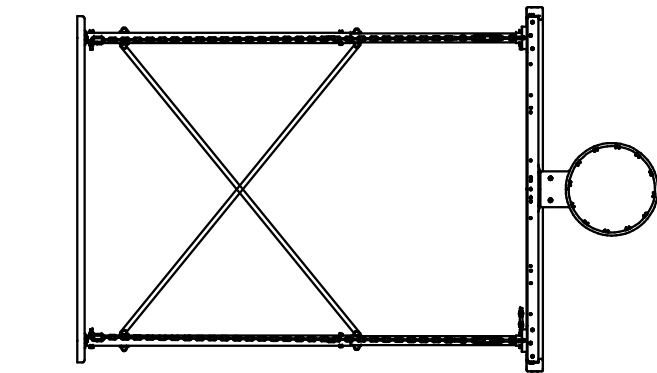
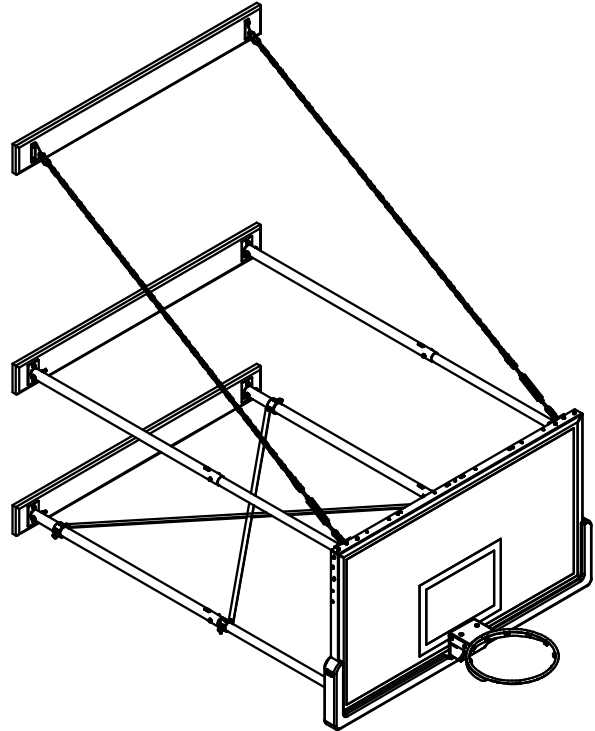


NOTE: FOR UNITS OVER 12' [3.66 m]
REFER TO THE INSTALLATION INSTRUCTIONS SUPPLIED WITH THE
PRODUCT. IF INSTRUCTIONS ARE NOT AVAILABLE, CONTACT THE
FACTORY FOR CORRECT DIMENSIONS.

CHAIN IS NOT USED ON FOB EXTENSIONS OF 0' TO 2'



SECTION A-A



WWW.ADPLEMCO.COM
SALES@ADPLEMCO.COM

13702 SOUTH 200 WEST B9
DRAPER, UT 84020

PHONE (801) 280-4000
FAX (801) 280-4040

WALL MOUNT - STATIONARY

DRAWN	DATE	REV
	12/6/2017	-
SHT. NO.	PART NO.	
1 OF 1	800	