

REVISION		
REV.	DATE	BY



13702 S 200 W B9 Draper, UT 84020
801-280-4000
www.adpleneco.com

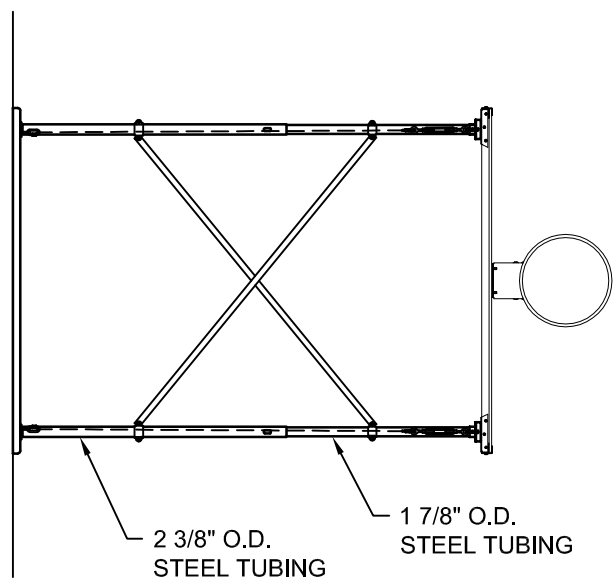
SIZE	SCALE	SHT. NO.	PART NO.	REV
A	NONE	1 OF 1	800	E

WALL MOUNT - STATIONARY

THIS DOCUMENT CONTAINS TRADE SECRET AND OTHER MATERIALS WHICH ARE PROTECTED BY CONFIDENTIALITY NOTICE AND AGREEMENT AND BY COPYRIGHT. ANY USE OR COPYING OF THIS DOCUMENT EXCEPT AS AUTHORIZED BY ADP LEMCO INC. IS STRICTLY PROHIBITED.

NOTE: DIMENSIONS IN FEET & INCHES (METERS)

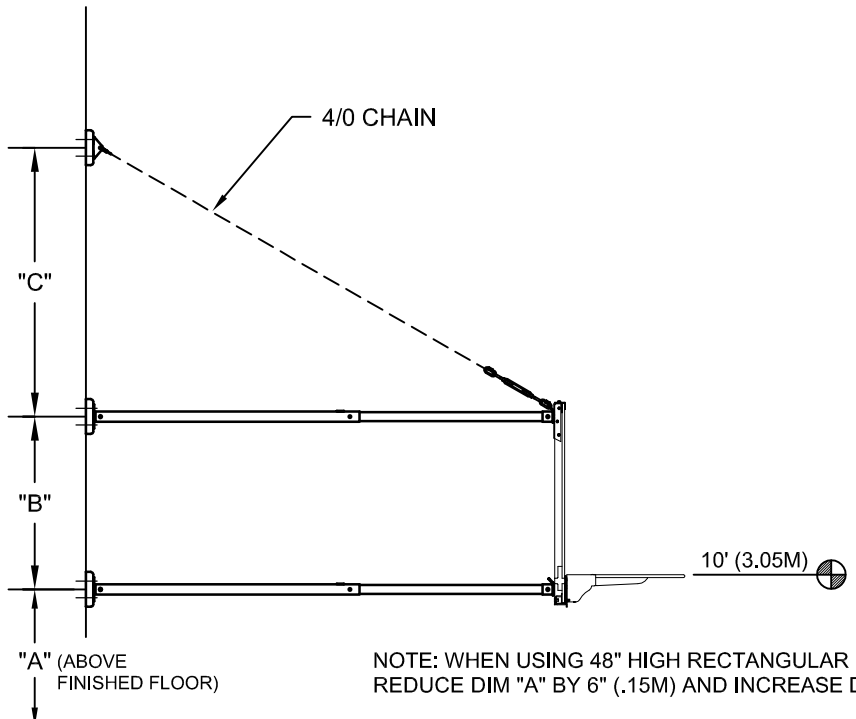
UNITS INSTALLED WITH OR WITHOUT A-A-G		
	DIM "A"	DIM "B"
RECT. STYLE MOUNTING BACKBOARDS		
64ST	9'-9" (2.97M)	36" (.91M)
64	9'-8 7/8" (2.97M)	36" (.91M)
34	9'-8 7/8" (2.97M)	36" (.91M)
63	9'-2 3/4" (2.81M)	42" (1.07M)
FAN STYLE MOUNTING BACKBOARDS		
70	10'-1/4" (3.05M)	20" (.51M)
50	9'-9 1/2" (2.98M)	20" (.51M)
40	9'-9 5/8" (2.99M)	20" (.51M)
44	10'-1/2" (3.06M)	20" (.51M)
74	9'-7.0" (2.92M)	22-5/8" (.57M)



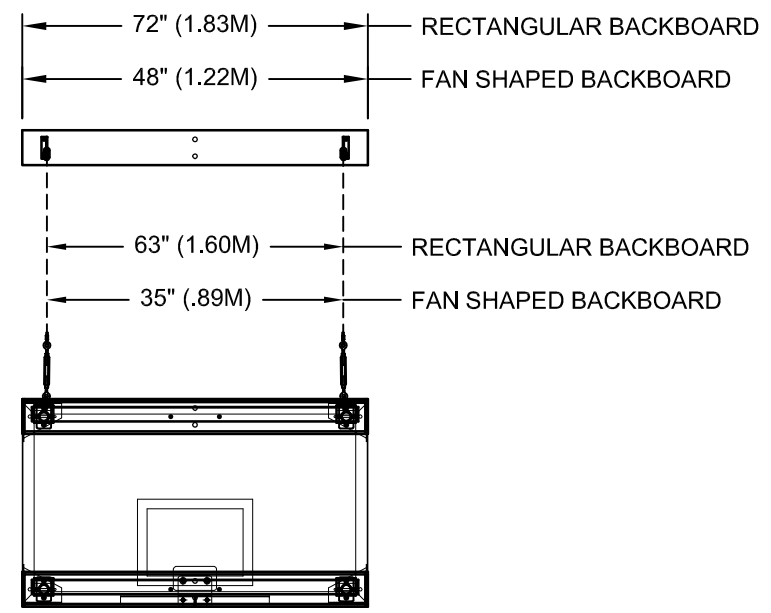
***NOTE: FOR UNITS OVER 12' (3.66M) REFER TO INSTALLATION INSTRUCTIONS SUPPLIED WITH PRODUCT. IF INSTRUCTIONS ARE NOT AVAILABLE, CONTACT FACTORY FOR CORRECT DIMENSIONS.**

0' - 2' CHAIN NOT USED.

ALL UNITS	
FOB EXTENSION	DIM "C"
2'-4' (.61-1.22M)	24" (.61M)
4'-6' (1.22-1.83M)	35" (.89M)
6'-9' (1.83-2.74M)	56" (1.42M)
9'-12' (2.74-3.66M)	79" (2.00M)
OVER 12'	*SEE NOTE



NOTE: WHEN USING 48" HIGH RECTANGULAR BACKBOARD, REDUCE DIM "A" BY 6" (.15M) AND INCREASE DIM "B" BY 6" (.15M).





MODEL 800

ADJUSTABLE 4 POINT STATIONARY WALL MOUNT STRUCTURE FOR EXTENSIONS 2'-0" TO 12'-0"

RECOMMENDED APPLICATION

This unit is designed for applications allowing for mounting the backstop to the wall. The adjustable stationary wall mount can extend from 2'-0" to 12'-0".

SPECIFICATIONS

WALL ATTACHMENT

Unit shall be attached to 2" x 7.25" clear coated wood pads. Units will be additionally supported by 4/0 chain fastened at the front of the unit and attached to a wood pad mounted on the wall. Wood pads will be mounted on an 8" minimum solid core concrete block wall or wall of similar integrity. All critical fittings shall be heavy gauge steel stampings or weldments.

BACKSTOP

The backstop shall be constructed of four telescopic braces, constructed of 1 7/8" O.D. tube telescoped inside 2 1/8" O.D. tube, spaced at 63" centers for a standard application and 35" centers for fan shaped backboards. For extensions from 6" to 24", four straight pipes shall be used. Units with extensions greater than 4 feet shall be cross-braced with 1/4"x1" tension straps fastened to the structure. All critical fittings shall be malleable iron castings, heavy gauge steel stampings, or weldments.

Backstop manufactured in accordance with 1994 NCAA rule 1, section 8, stating that all backboard support systems shall be at least 6" behind backboard. Backstop will be furnished with standard black finish. If special finish coat required, specify final painting by painting contractor.

ACCESSORIES

BACKBOARDS AND GOALS

All ADP Lemco backboards and goals are available on this unit. See the backboards and goals section in the specification manual.

BANK PADDING

See the accessories section in the specification manual.

HEIGHT ADJUSTER

Height adjusters are available for adjusting board heights between 8' and 10' for both rectangular and fan shaped backboards. See the accessories section in the specification manual.