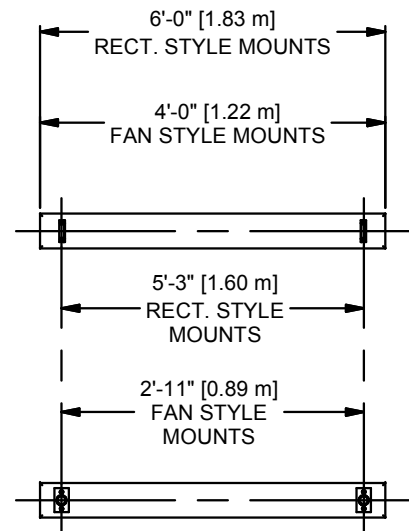
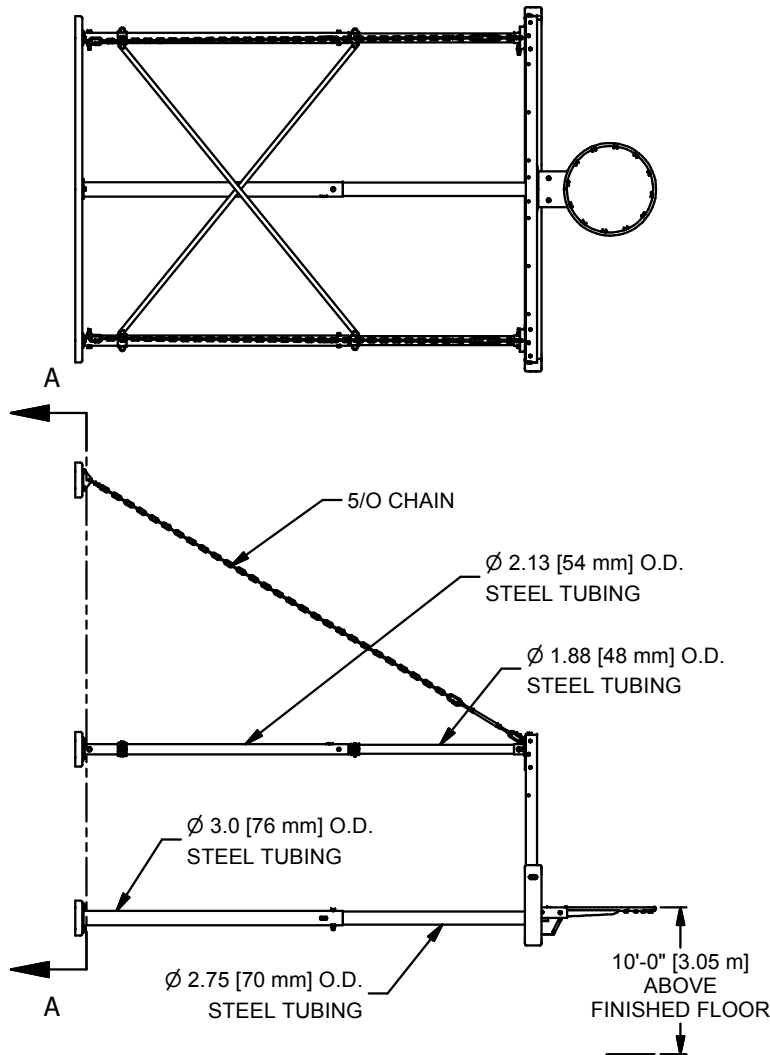
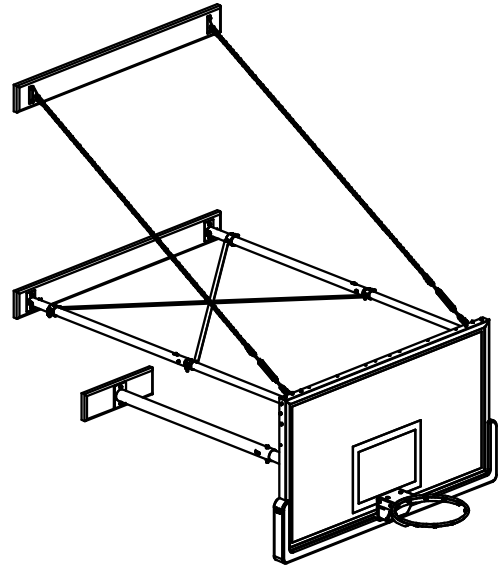


NOTE: FOR UNITS OVER 12' [3.66 m] REFER TO THE INSTALLATION INSTRUCTIONS SUPPLIED WITH THE PRODUCT. IF INSTRUCTIONS ARE NOT AVAILABLE, CONTACT THE FACTORY FOR CORRECT DIMENSIONS.

CHAIN IS NOT USED ON FOB EXTENSIONS OF 0' TO 2'



SECTION A-A



WWW.ADPLEMCO.COM  
SALES@ADPLEMCO.COM

13702 SOUTH 200 WEST B9  
DRAPER, UT 84020

PHONE (801) 280-4000  
FAX (801) 280-4040

WALL MOUNT - THREE POINT

DRAWN	DATE	REV
	12/6/2017	-
SHT. NO.	PART NO.	
1 OF 1	803	