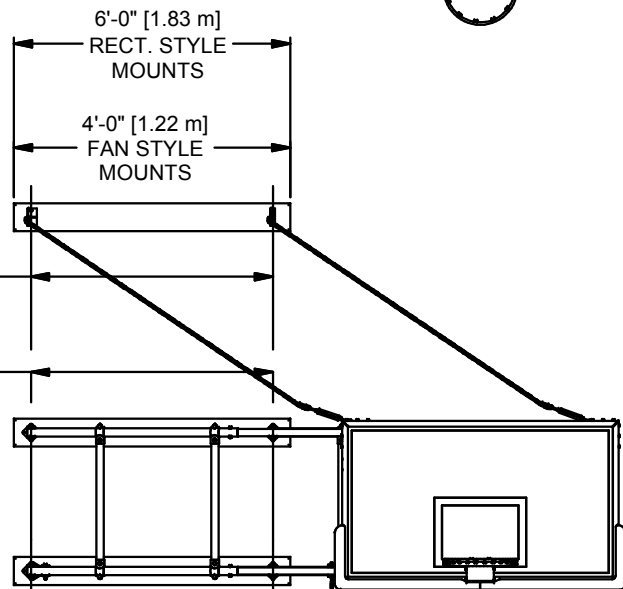
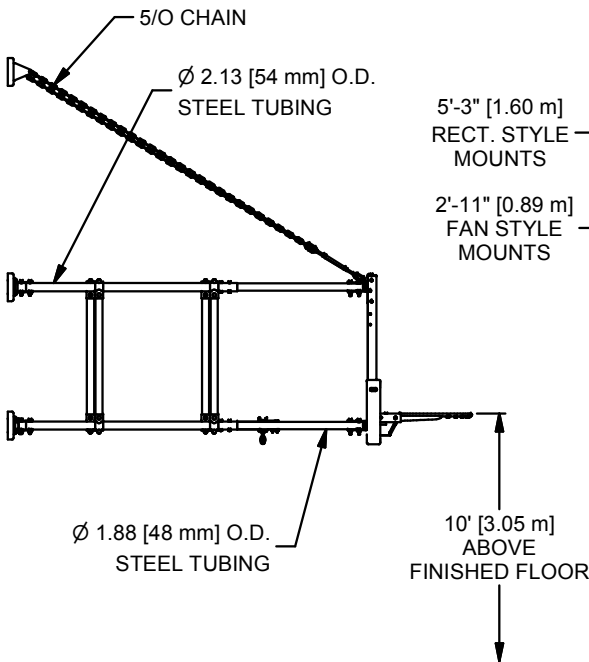
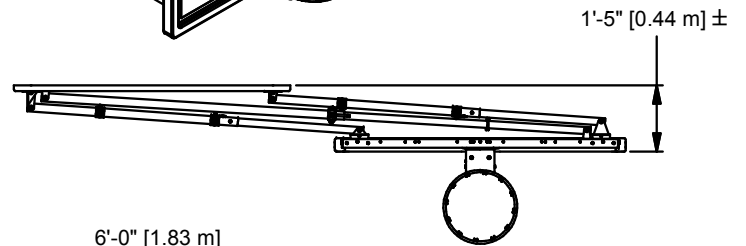
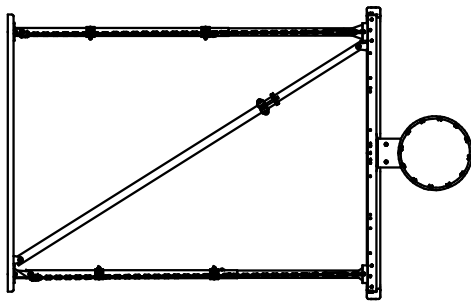
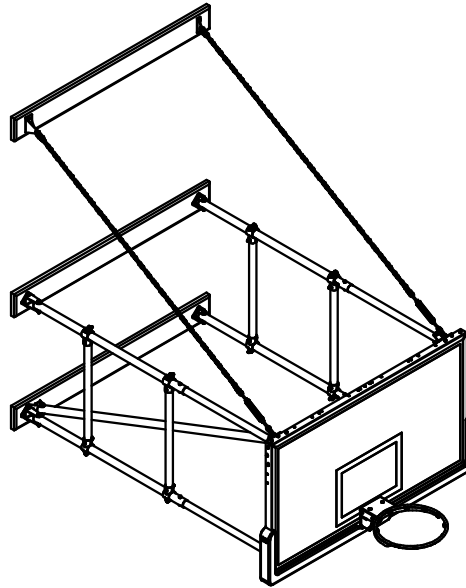


NOTE: FOR UNITS OVER 12' [3.66 m]
REFER TO THE INSTALLATION INSTRUCTIONS
SUPPLIED WITH THE PRODUCT. IF
INSTRUCTIONS ARE NOT AVAILABLE, CONTACT
THE FACTORY FOR CORRECT DIMENSIONS.



FOLDED VIEWS



WWW.ADPLEMCO.COM
SALES@ADPLEMCO.COM

13702 SOUTH 200 WEST B9
DRAPER, UT 84020

PHONE (801) 280-4000
FAX (801) 280-4040

WALL MOUNT SIDE FOLD

DRAWN	DATE	REV
	12/6/2017	-
SHT. NO.	PART NO.	
1 OF 2	810	