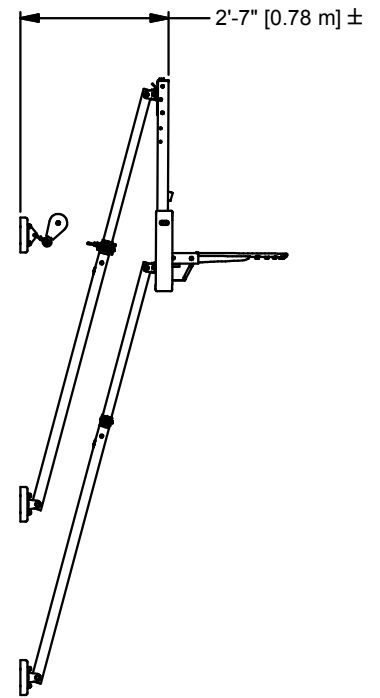
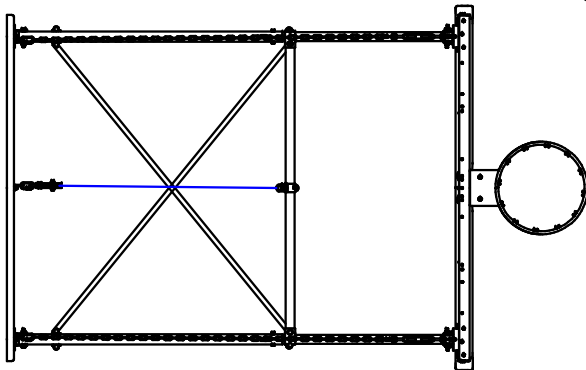
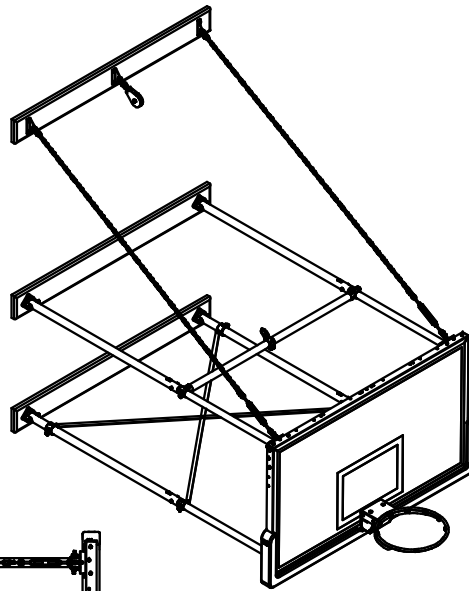
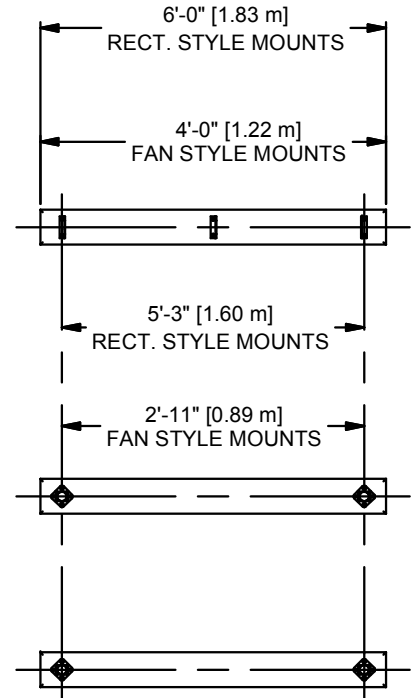
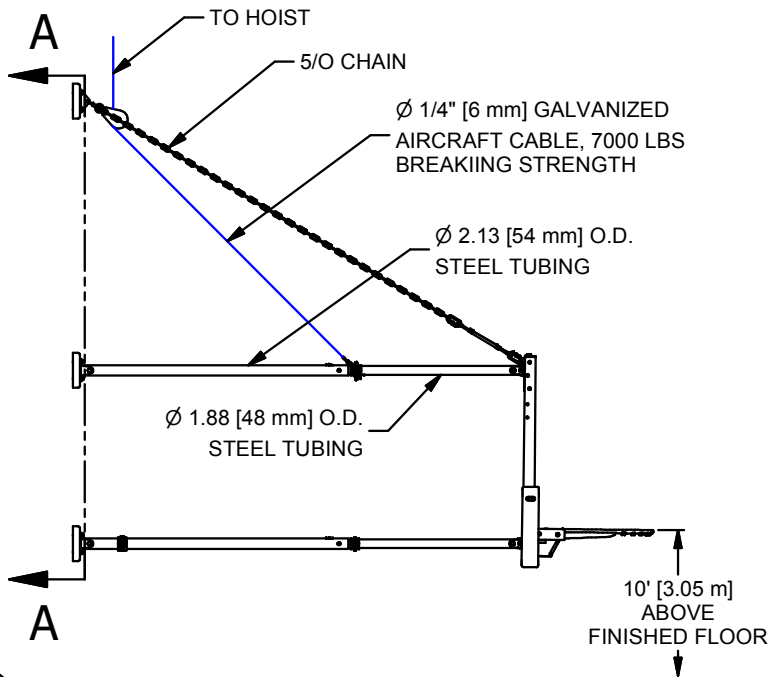


NOTE: FOR UNITS OVER 12' [3.66 m] REFER TO THE INSTALLATION INSTRUCTIONS SUPPLIED WITH THE PRODUCT. IF INSTRUCTIONS ARE NOT AVAILABLE, CONTACT THE FACTORY FOR CORRECT DIMENSIONS.



FOLDED POSITION



SECTION A-A



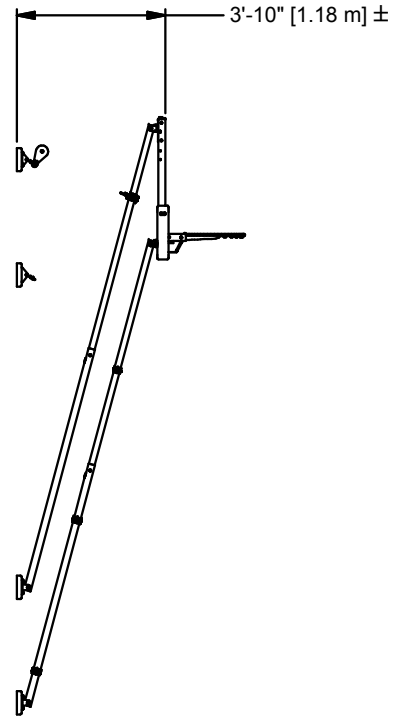
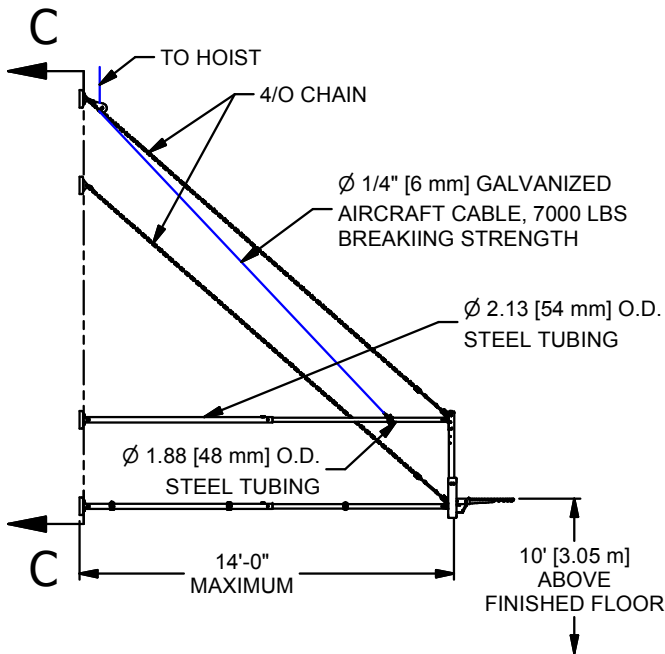
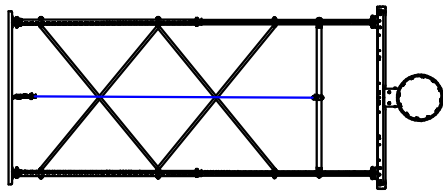
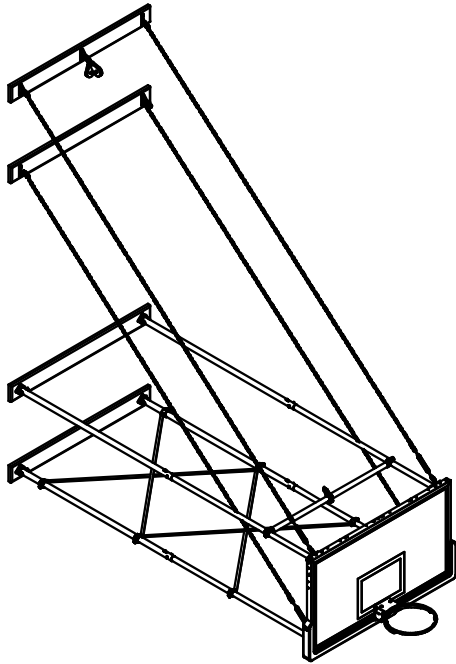
WWW.ADPLEMCO.COM
SALES@ADPLEMCO.COM

13702 SOUTH 200 WEST B9
DRAPER, UT 84020

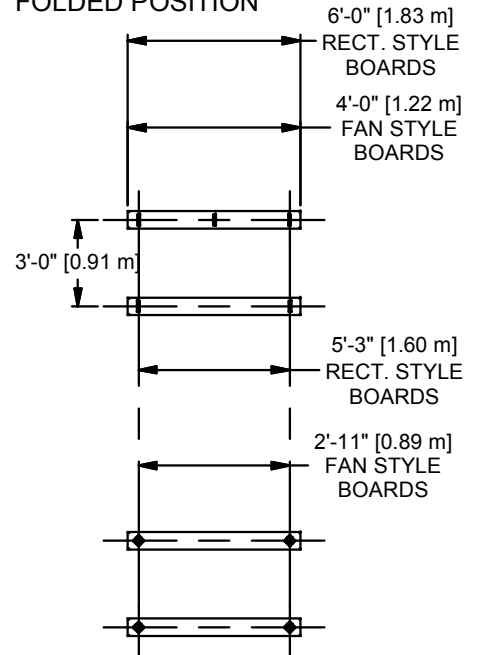
PHONE (801) 280-4000
FAX (801) 280-4040

WALL MOUNT - FOLD UP

DRAWN	DATE	REV
	12/6/2017	-
SHT. NO.	PART NO.	
1 OF 3	850	



FOLDED POSITION



SECTION C-C



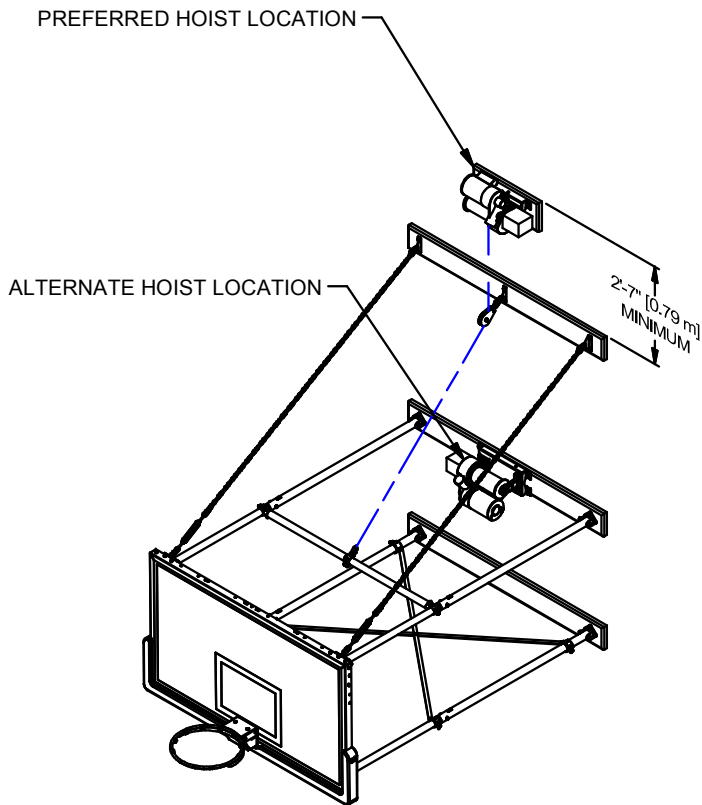
WWW.ADPLEMCO.COM
SALES@ADPLEMCO.COM

13702 SOUTH 200 WEST B9
DRAPER, UT 84020

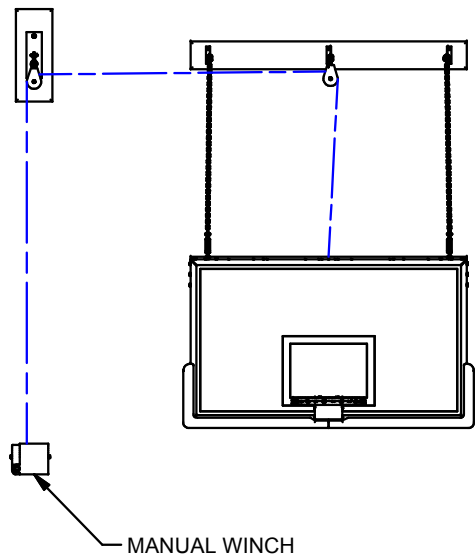
PHONE (801) 280-4000
FAX (801) 280-4040

WALL MOUNT - FOLD UP - OVER 12' FOB

DRAWN	DATE	REV
	12/6/2017	-
SHT. NO.	PART NO.	
2 OF 3	850	



ELECTRIC HOIST
LOCATION OPTIONS



MANUAL WINCH
LOCATION



13702 SOUTH 200 WEST B9
DRAPER, UT 84020

WWW.ADPLEMCO.COM
SALES@ADPLEMCO.COM

PHONE (801) 280-4000
FAX (801) 280-4040

WALL MOUNT - FOLD UP

DRAWN	DATE	REV
	12/6/2017	-
SHT. NO.	PART NO.	
3 OF 3	850	