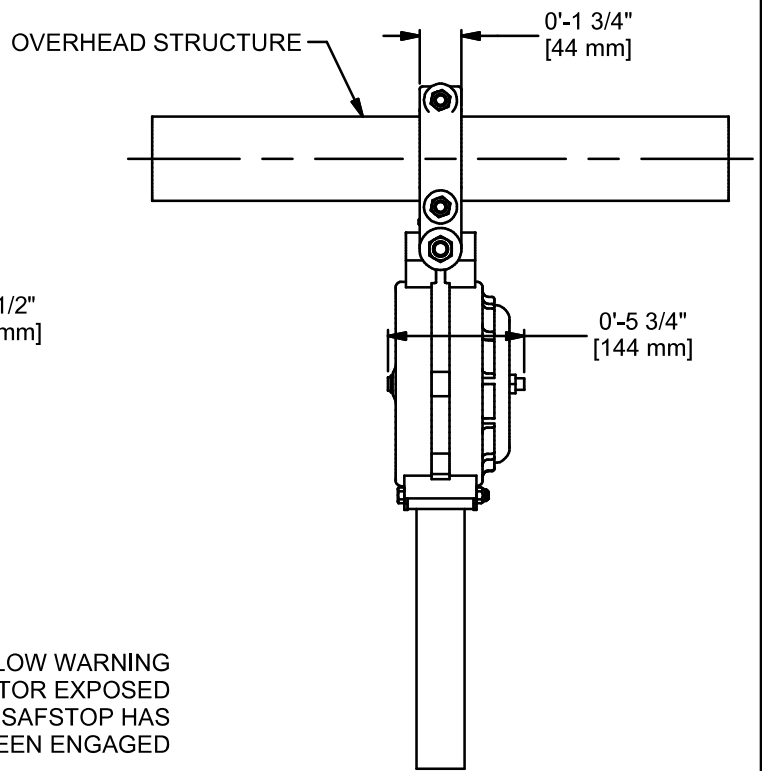
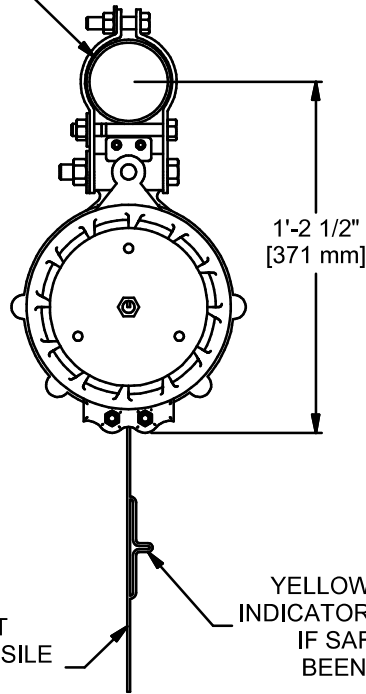
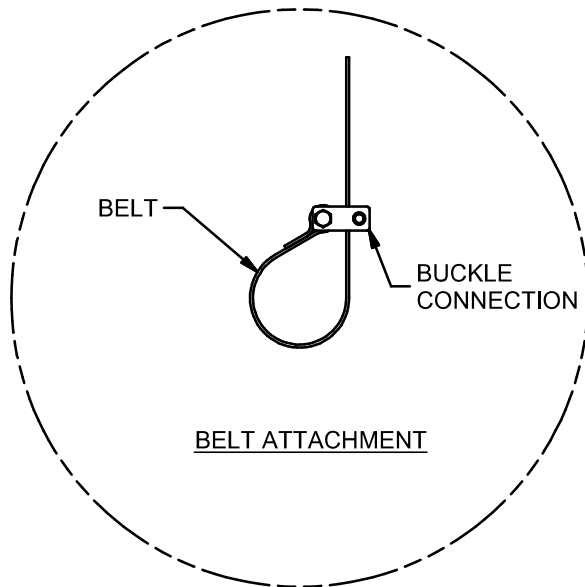


FITS 3.5" [90 mm] O.D. OR
4" [102 mm] O.D. OVERHEAD
TUBE STRUCTURE



2" [51 mm] WIDE NYLON BELT
WITH 6000 LBS [2722 kg] TENSILE
STRENGTH AND 35' [10.7 m]
MAXIMUM LENGTH

YELLOW WARNING
INDICATOR EXPOSED
IF SAFSTOP HAS
BEEN ENGAGED



⚠ CAUTION
LOCKING STRAP IS RATED TO CAPTURE A
1000 LB [454 m], FREE FALLING LOAD. THIS
DOES NOT INSURE THAT COMPONENTS, SUCH
AS BUILDING STRUCTURE, WILL WITHSTAND
THIS LOAD.

REV	BY	DATE

ADPLEMCO
 INCORPORATED

13702 SOUTH 200 WEST B9 PHONE (801) 280-4000
 DRAPER, UT 84020 FAX (801) 280-4040
 WWW.ADPLEMCO.COM SALES@ADPLEMCO.COM

THIS DOCUMENT CONTAINS TRADE SECRET AND OTHER MATERIALS WHICH ARE PROTECTED BY CONFIDENTIALITY NOTICE AND AGREEMENT AND BY COPYRIGHT. ANY USE OR COPYING OF THIS DOCUMENT EXCEPT AS AUTHORIZED IS STRICTLY PROHIBITED.

Safety Strap

SIZE	SCALE	SHT. NO.	PART NO.	REV
A		1 OF 2		

Safety Strap

This unit is designed to prevent free-fall of backstops due to cable, pulley, support fitting, or winch failure. Any sudden surge of speed due to failure shall quickly lock "Safstop" and hold the backstop in any position. The Safstop shall be rated to capture a 1000 lb [454 kg], free falling load and shall be tested to capture a 1750 lb [794 kg] free falling load without structural or belt failure. This unit shall lock the backstop before the belt travels 3" [76 mm] in a free-fall. This unit is fully functional during storage, raising and lowering of backstops.

"Safstop" is attached to 3 1/2" [89 mm] or 4" [102 mm] O.D. overhead superstructure with a universal mounting-bracket that allows for tubing parallel or perpendicular to the unit. The 2" [51 mm] wide nylon belt has a tensile strength of 6000 lbs [2722 kg], and can extend 35 feet [10.7 m]. The belt is attached to the backstop frame using a buckle connection.

"Safstop" has an automatic spring-loaded reset and does not require electricity in order to operate. "Safstop" locks by inertial force for immediate and positive setting, or centrifugal force for slower setting. Locking mechanism is contained within cast aluminum housing. "Safstop" is recommended for any backstop folded over seating.

"Safstop" is also available with different belt length.